

sales@powerfoam.com

PowerFoam R-Control

NAILBASE

ROOF APPLICATIONS CONSTRUCTION MANUAL

Note: Information deemed reliable at time of printing.
Please visit www.powerfoam.com for the latest information.



ROOF APPLICATIONS CONSTRUCTION MANUAL

When you choose PowerFoam R-Control Nailbase, you're collaborating with a team of experts who work with you every step of the way. We're here to answer your questions, solve your problems, and do everything we can to make sure your project proceeds smoothly—and ends successfully.

PowerFoam R-Control products are manufactured by PowerFoam, LLC. PowerFoam adheres to strict, consistent standards to ensure high-quality.

We offer architects, designers and builders the best of both worlds: the resources of the country's largest provider of Nailbase products and systems, and the superior attention and customer service of a local supplier.

Note: Information deemed reliable at time of printing. Please visit www.powerfoam.com for the latest information. January 2021.

Table of Contents

R-Control Nailbase

Details

Sizes and Dimensions	FC-100
Sizes and Dimensions	FC-100a
Sizes and Dimensions	FC-100b
Roof Ridge	FC-101
Roof Ridge	FC-101a
Vented Roof Ridge	FC-101b
Roof Valley	FC-102
Roof Valley	FC-102a
Square Cut Eave	FC-103
Plumb Cut Eave	FC-103a
Vented Eave	FC-103b
Wall Intersection	FC-104
Wall Intersection	FC-104a
Vented Wall Intersection	FC-104b
Gable End	FC-105
Vented Gable	FC-105a
Spline Connection	FC-106
Butt Connection	FC-106a

Technical Bulletins

Fastening Requirements for Sloped Roofs	Nailbase No. 4001
Asphalt Shingles	Nailbase No. 4002
Metal Roof Ventilation with Enkamat 7020	Nailbase No. 4003
Ventilation Accessory Products	Nailbase No. 4006

General Recommendations

R-Control Nailbase Sizes

PowerFoam R-Control Nailbase is made in a variety of sizes, most commonly 4' x 8'. Consult PowerFoam for sizes, thicknesses, and fabrication services available in your area.

Environmentally Safe

The core material for PowerFoam R-Control Nailbase, PowerFoam R-Control insulation, contains no CFCs, HCFCs, HFCs or formaldehyde and is recyclable. PowerFoam R-Control insulation is inert, non-nutritive and highly stable. PowerFoam encourages you to support recycling and energy conservation.

Warranty

PowerFoam provides a 50-year warranty covering PowerI performance. Contact PowerFoam for details regarding the warranty program.

Handling - Storage - Protection

PowerFoam R-Control Nailbase should be stored in a fully supported manner and protected from weather. Cover stored PowerFoam R-Control Nailbase with tarps or similar protective wraps. Exposure 1 OSB facings are used in PowerFoam R-Control Nailbase manufacture; however, panels used for roof systems must have temporary roofing applied at the time of installation. Apply finished roofing when immediately practical.

Metal roof systems have inherent properties that may cause PowerFoam R-Control Nailbase roofs covered with these materials to become hotter than other roof systems. When installing metal roof systems on PowerFoam R-Control Nailbase, additional design considerations may be necessary to protect the roofing underlayment and the PowerFoam R-Control Nailbase from excessive temperatures. These design precautions may include the use of a ventilated air space above the PowerFoam R-Control Nailbase to minimize temperature exposure. Consult PowerFoam for local recommendations.

Molded polystyrene contains a flame retardant additive. However, the molded polystyrene should be considered combustible and used with code approved PowerI barriers and should not be stored near any open flame or source of ignition. Do not install or use molded polystyrene with coal-tar pitch or highly solvent extended mastics, adhesives or sealants. Consult PowerFoam for suggested adhesives, sealants, and assembly specifications not otherwise detailed in this manual.

General Recommendations - cont'd

Low VOC Do-All-Ply and Splines

PowerFoam R-Control Nailbase may be joined as needed using splines. These attachments are made with nails, staples, or screws and Low VOC Do-All-Ply.

Spline Connection and Low VOC Do-All-Ply use shall be as specified by the design professional based upon structure design, climate zone, and moisture vapor analysis.

Vapor Retarders

PowerFoam R-Control Nailbase may require the use of a vapor retarder to ensure long term durable roof structures. Consult with a local design professional for a recommendation.

Special Treatments

PowerFoam R-Control Nailbase can be produced with PowerFoam R-Control insulation with borate that protects the core insulation from potential termite damage. In addition, the OSB facings can be coated with FrameGuard that protects the OSB from mold, mildew and termite damage. Please contact PowerFoam to learn about specifications for these special treatments.



Disclaimer

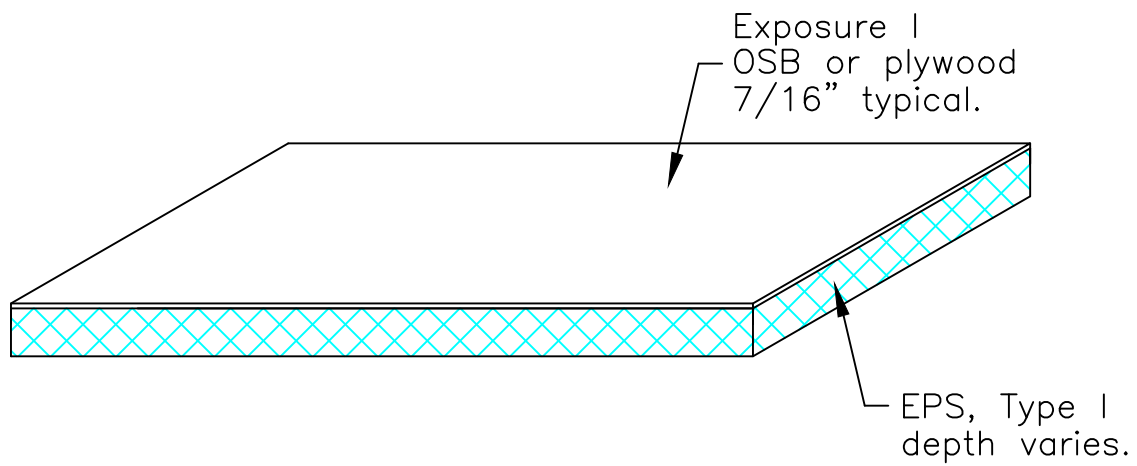
Details, illustrations, pictures and guidelines provided herein give basic information and illustrate examples of PowerFoam R-Control Nailbase installation. The basic information provide herein is not intended to cover every potential use and application of PowerFoam R-Control Nailbase. It is the responsibility of the installer to become familiar with his specific application and determine if PowerFoam R-Control Nailbase is suitable. By commencing work, the installer accepts full responsibility for the proper and safe installation of PowerFoam R-Control Nailbase at his job site. Adding an insulation component may change the behavior of a roof assembly with regard to air movement, water vapor transmittance, bulk water management and heating, cooling and ventilation systems. It is the responsibility of the owner or the owner's representative to design the insulated roof assembly to perform in a manner ensuring function and durability. Furthermore, it is the sole responsibility of the installer to meet all federal and local regulatory requirements for job site safety for himself, his workers and any others on the job site while in the execution of all phases of PowerFoam R-Control Nailbase installation.

Nailbase.

Width/Length: 4' x 8' standard.

Thickness: 2", 4", 6", 7-3/4", 9-3/4", 11-3/4" standard.

Custom width, length, and thickness available.



ISOMETRIC

Scale: NTS

Updated 6-1-20

Nailbase

TITLE:
Sizes and Dimensions

NO.
NB-100

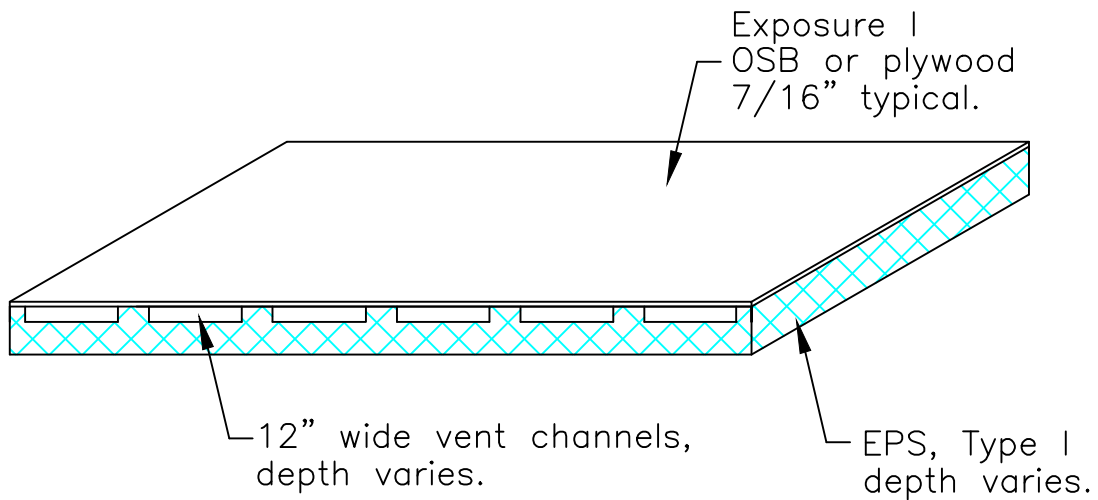
Nailbase Vent-1.

Width/Length: 4' x 8' standard.

Thickness: 2", 4", 6", 7-3/4", 9-3/4", 11-3/4" standard.

Vent Channel Depth: 1/2", 1", 1-1/2", 2" standard.

Custom width, length, thickness, and vent channel depth available.



ISOMETRIC

Scale: NTS

Updated 6-1-20

Nailbase

TITLE:
Sizes and Dimensions

NO.
NB-100a

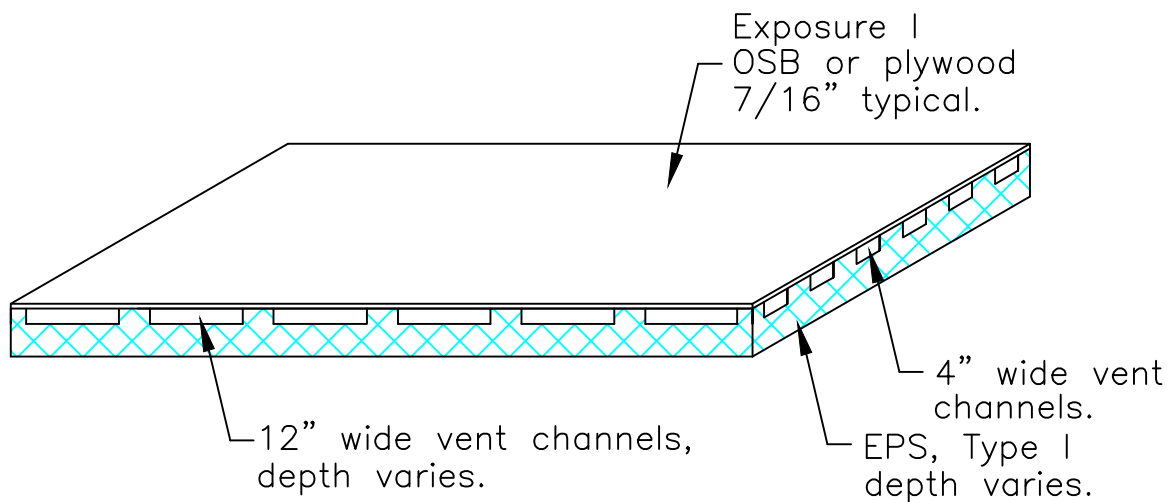
Nailbase Vent-2.

Width/Length: 4' x 8' standard.

Thickness: 2", 4", 6", 7-3/4", 9-3/4", 11-3/4" standard.

Vent Channel Depth: 1/2", 1", 1-1/2", 2" standard.

Custom width, length, thickness, and vent channel depth available.



ISOMETRIC

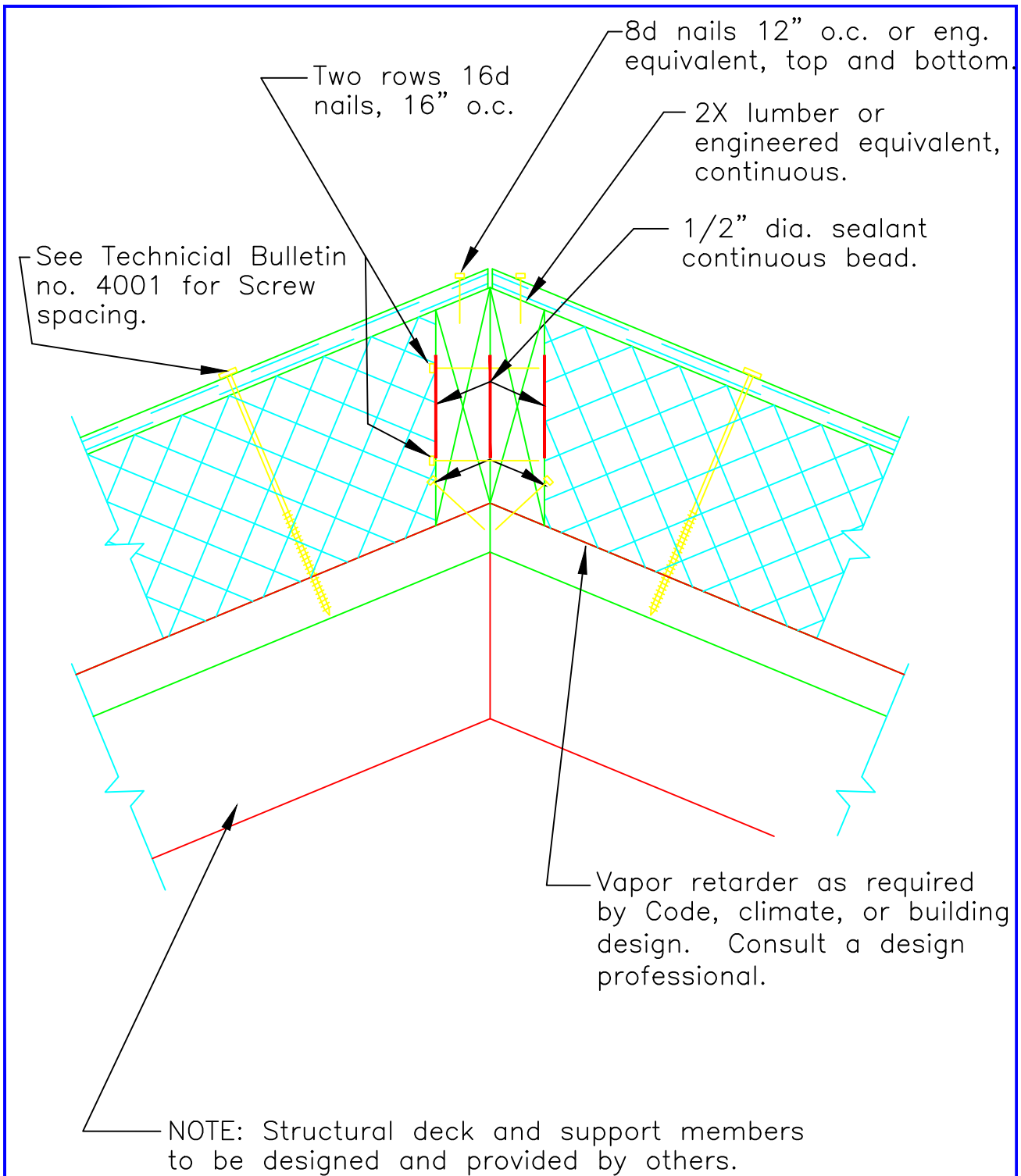
Scale: NTS

Updated 6-1-20

Nailbase

TITLE:
Sizes and Dimensions

NO.
NB-100b



SECTION

Scale: NTS

Updated 6-1-20

Nailbase

TITLE:

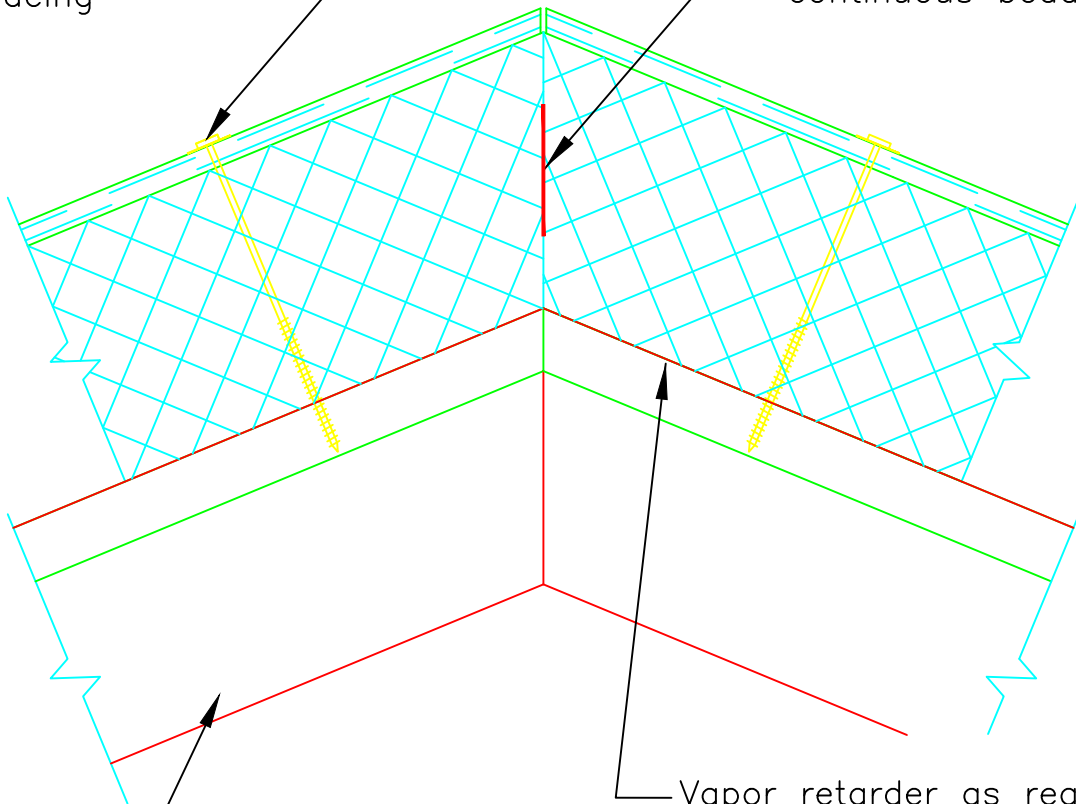
Roof Ridge

NO.

NB-101

See Technical Bulletin
no. 4001 for Screw
spacing

1/2" dia. sealant
continuous bead.



Vapor retarder as required
by Code, climate, or building
design. Consult a design
professional.

NOTE: Structural deck and support members
to be designed and provided by others.

SECTION

Scale: NTS

Updated 6-1-20

Nailbase

TITLE:

Roof Ridge

NO.

NB-101a

See Technical Bulletin no. 4001 for screw spacing.

Nailbase Vent-1 or Vent-2.

HI-PERF ridge vent by METAL-ERA or equivalent.

Roof covering.

Underlayment.

Airflow.

Vapor retarder as required by Code, climate, or building design. Consult a design professional.

1/2" dia. sealant continuous bead.

NOTE: Structural deck and support members to be designed and provided by others.

SECTION

Scale: NTS

Updated 6-1-20

Nailbase

TITLE:

Vented Roof Ridge

NO.

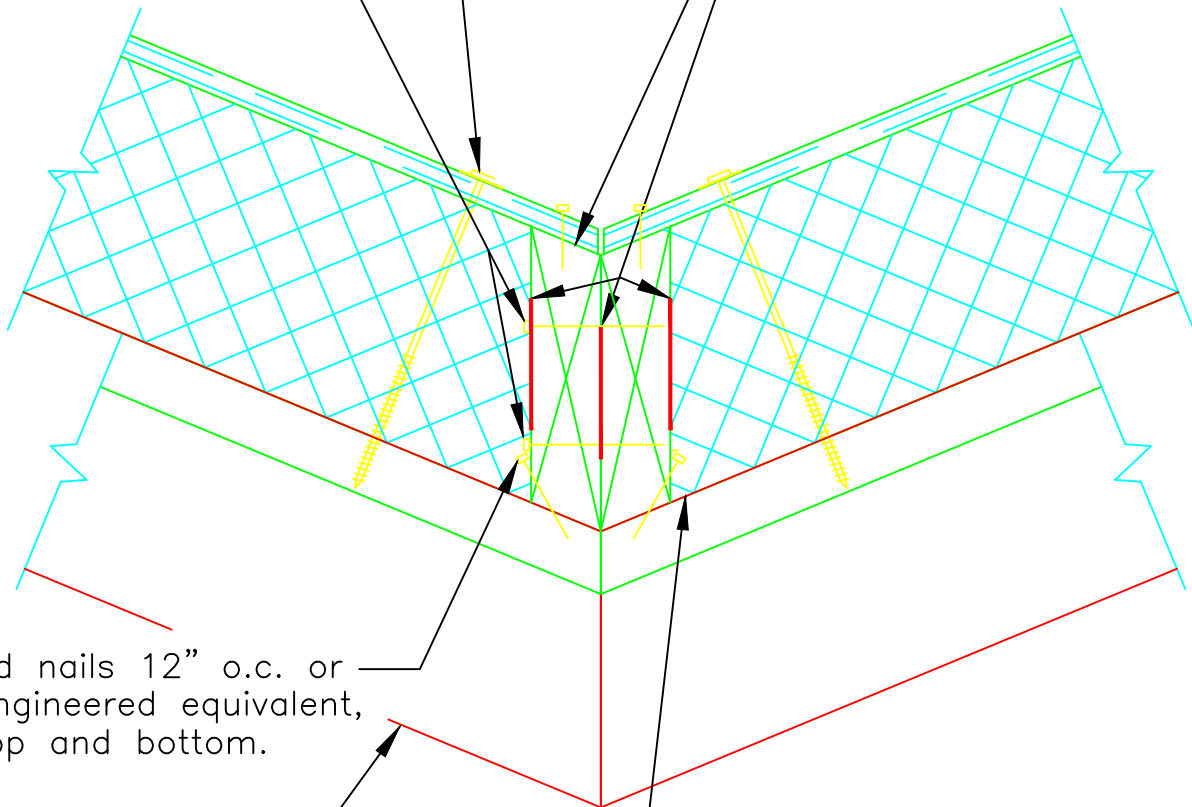
NB-101b

See Technical Bulletin
no. 4001 for Screw
spacing

Two rows 16d
nails, 16" o.c.

2X lumber or
engineered equivalent,
continuous.

1/2" dia. sealant
continuous bead.



8d nails 12" o.c. or
engineered equivalent,
top and bottom.

Vapor retarder as required
by Code, climate, or building
design. Consult a design
professional.

NOTE: Structural deck and support members
to be designed and provided by others.

SECTION

Scale: NTS

Updated 6-1-20

Nailbase

TITLE:

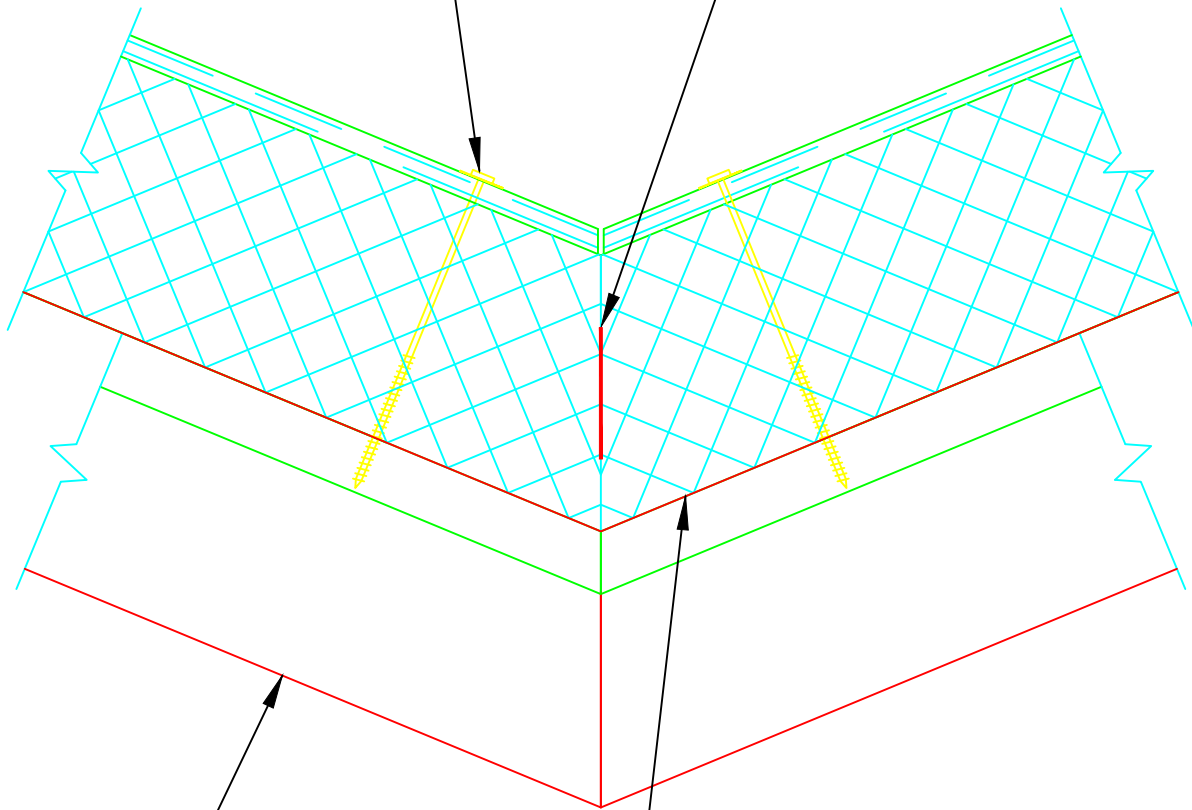
Roof Valley

NO.

NB-102

See Technical Bulletin
no. 4001 for Screw
spacing

1/2" dia. sealant
continuous bead.



Vapor retarder as required
by code, climate, or building
design. Consult a design
professional.

NOTE: Structural deck and support members
to be designed and provided by others.

SECTION

Scale: NTS

Updated 6-1-20

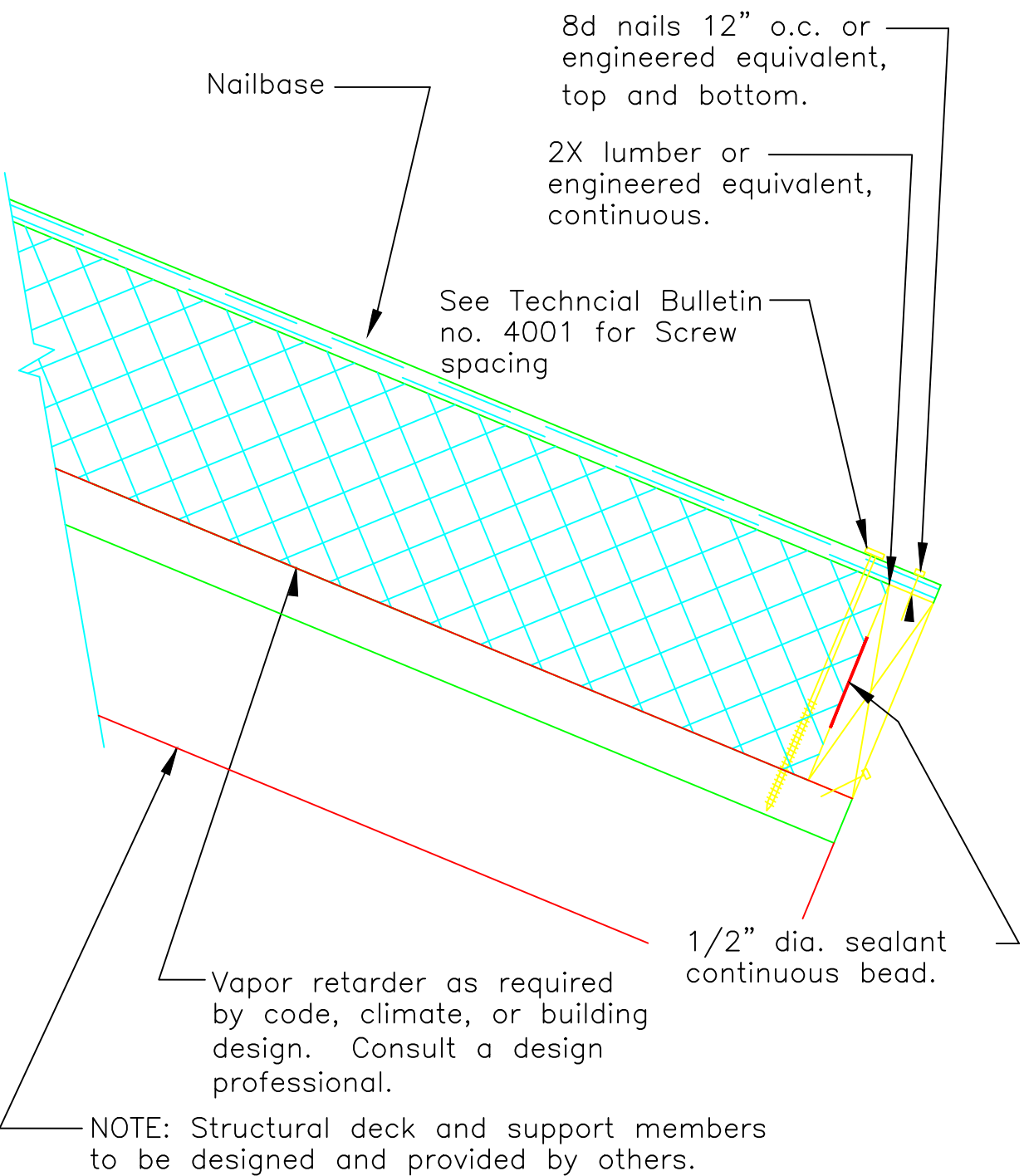
Nailbase

TITLE:

Roof Valley

NO.

NB-102a



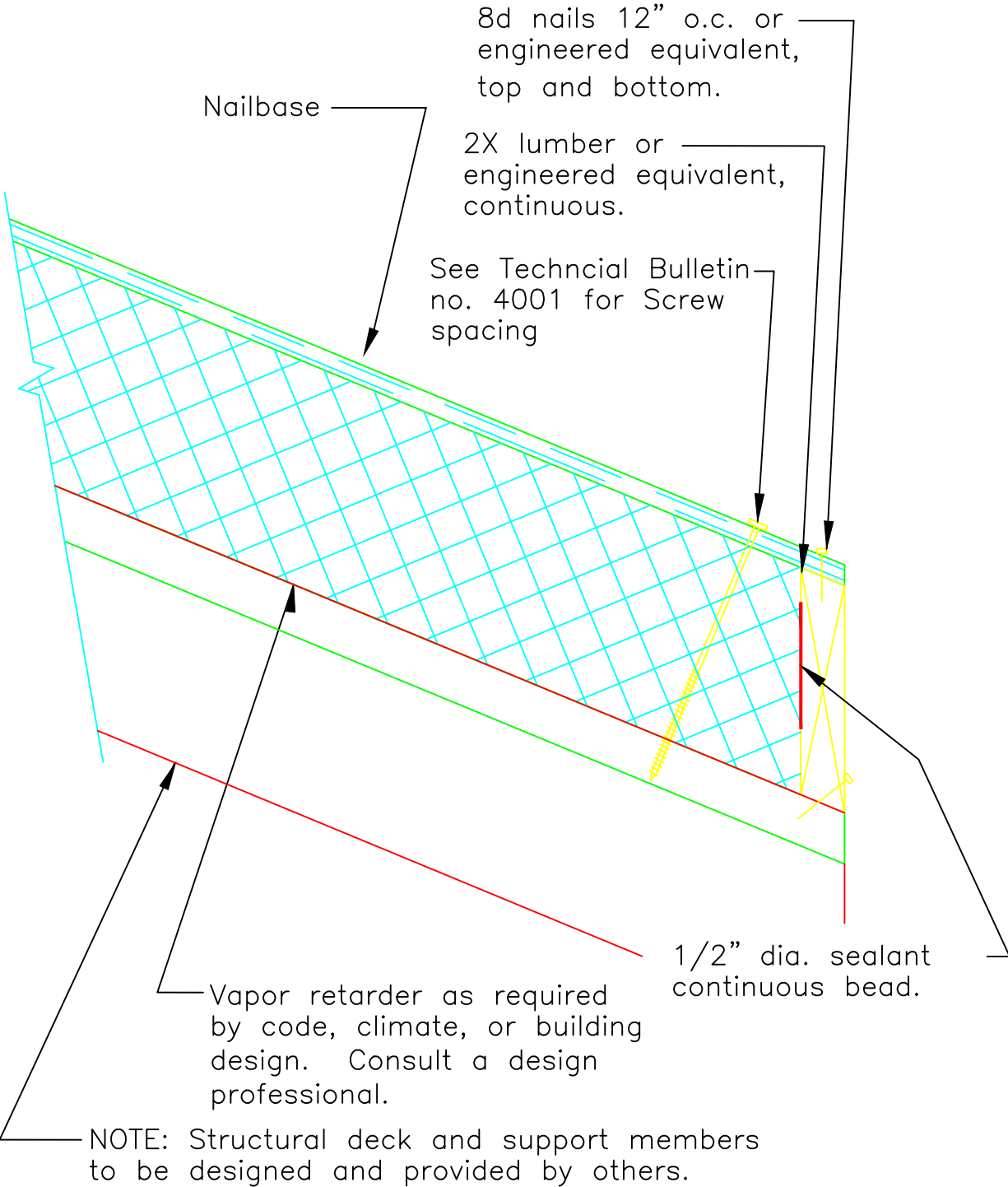
SECTION

Scale: NTS

Updated 6-1-20

Nailbase

TITLE:	Square Cut Eave	NO.	NB-103
--------	-----------------	-----	--------



SECTION

Scale: NTS

Updated 6-1-20

Nailbase	
TITLE: Plumb Cut Eave	NO. NB-103a

Nailbase Vent-1 or Vent-2.

HI-PERF vented fascia by METAL-ERA or equivalent.

Roof covering.

Underlayment.

See Technical Bulletin no. 4001 for screw spacing.

Vapor retarder as required by code, climate, or building design. Consult a design professional.

NOTE: Structural deck and support members designed and provided by others.

Airflow.

SECTION

Scale: NTS

Updated 6-1-20

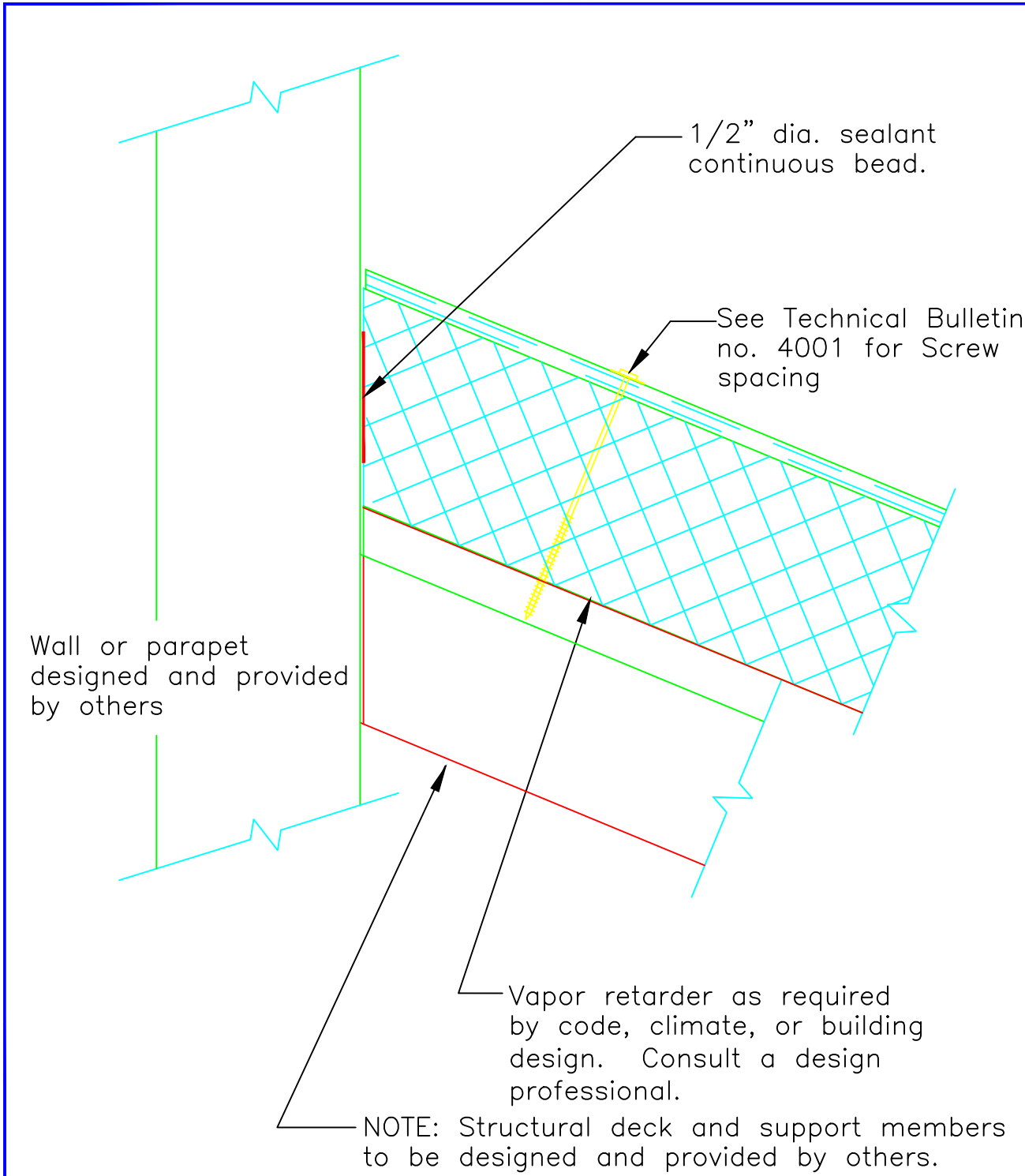
Nailbase

TITLE:

Vented Eave

NO.

NB-103b



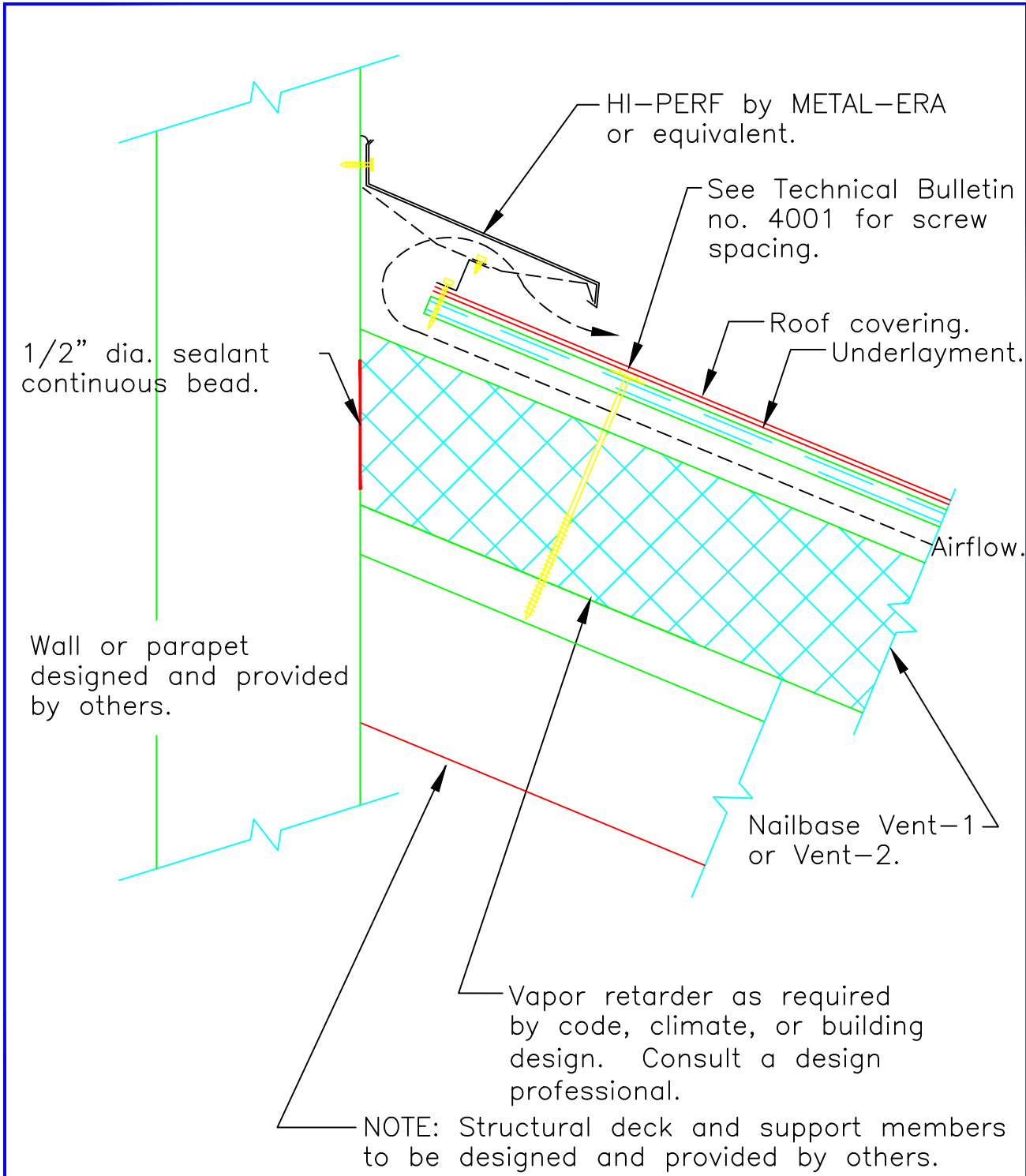
SECTION

Scale: NTS

Updated 6-1-20

Nailbase

TITLE:	NO.
Wall Intersection	NB-104a



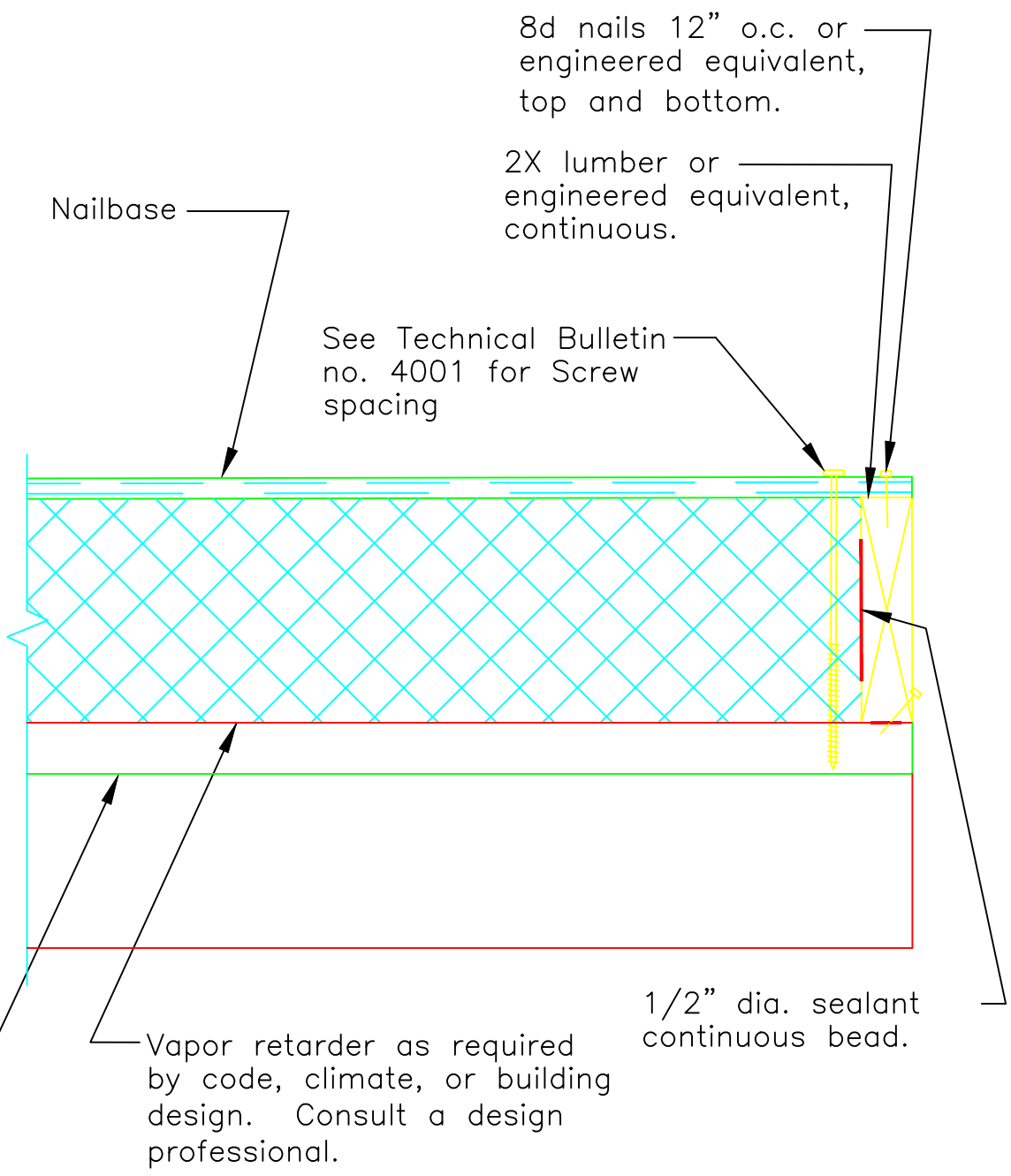
SECTION

Scale: NTS

Updated 6-1-20

Nailbase

TITLE: Vented Wall Intersection	NO. NB-104b
------------------------------------	----------------

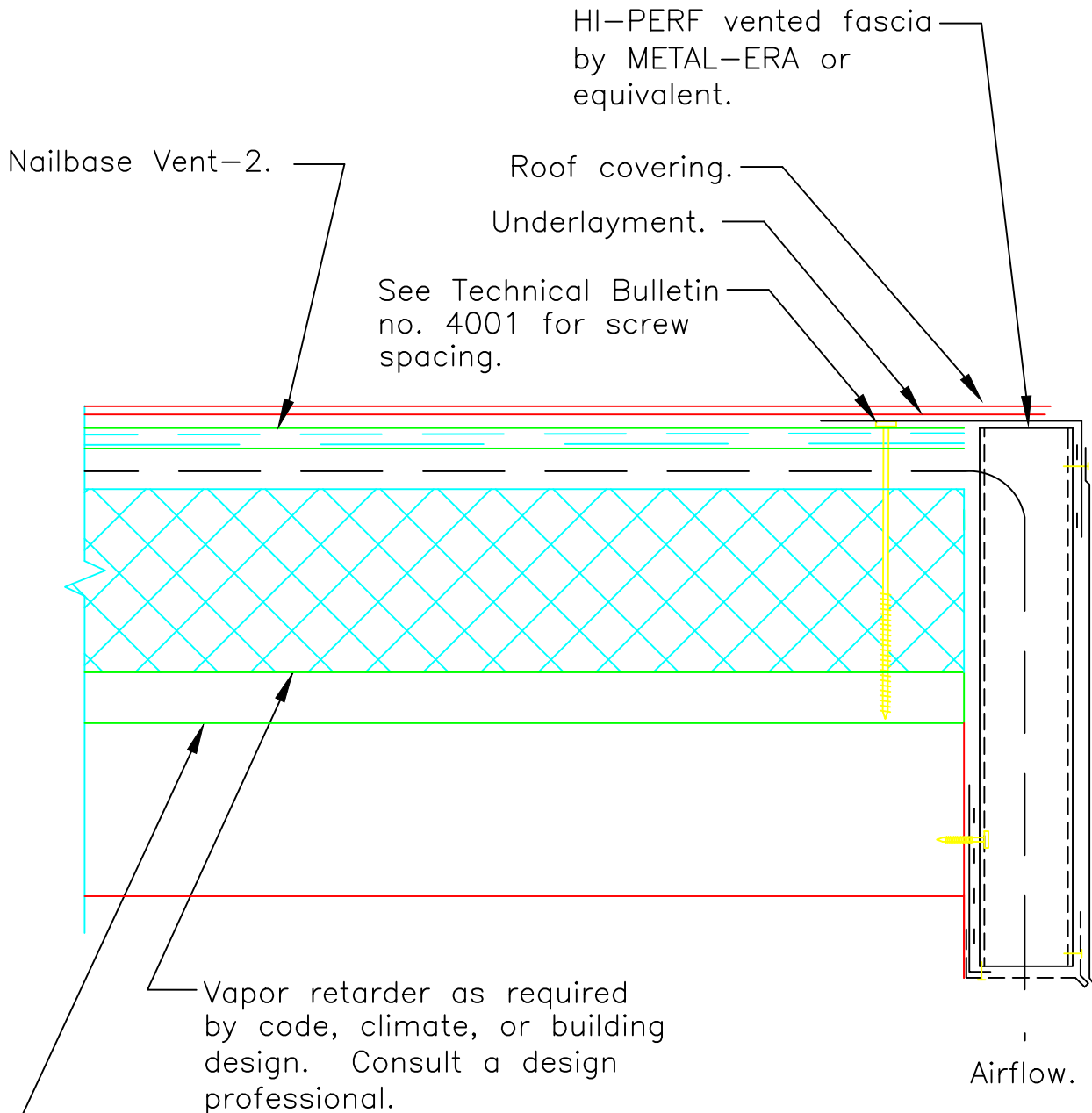


SECTION

Scale: NTS

Updated 6-1-20

Nailbase	
TITLE: Gable End	NO. NB-105



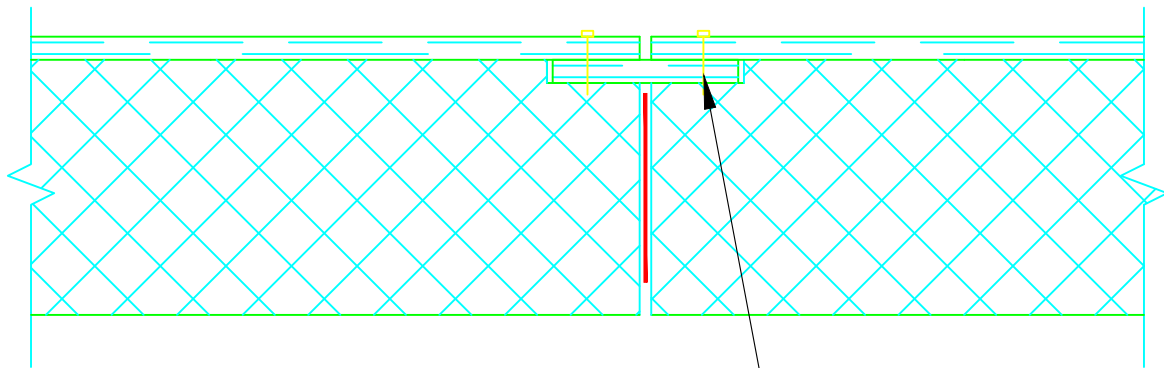
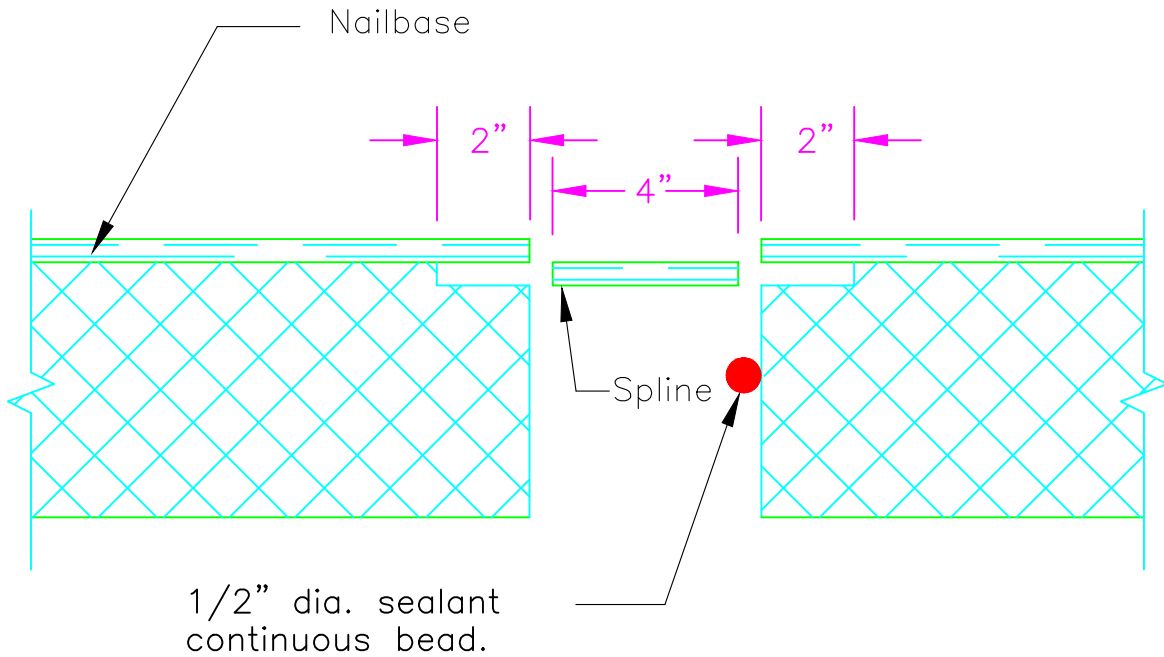
NOTE: Structural deck and support members to be designed and provided by others.

SECTION

Scale: NTS

Updated 6-1-20

Nailbase	
TITLE: Vented Gable	NO. NB-105a



Nailing on each side of OSB joint to be:
 6" o/c using 8d nails
 6" o/c using 14GAx1 1/2" staples
 4" o/c using 16GAx1 1/2" staples

Note: Spline material to conform to:
 DOC PS2-92, min thickness equal to panel OSB thickness

SECTION

Scale: NTS

Updated 6-1-20

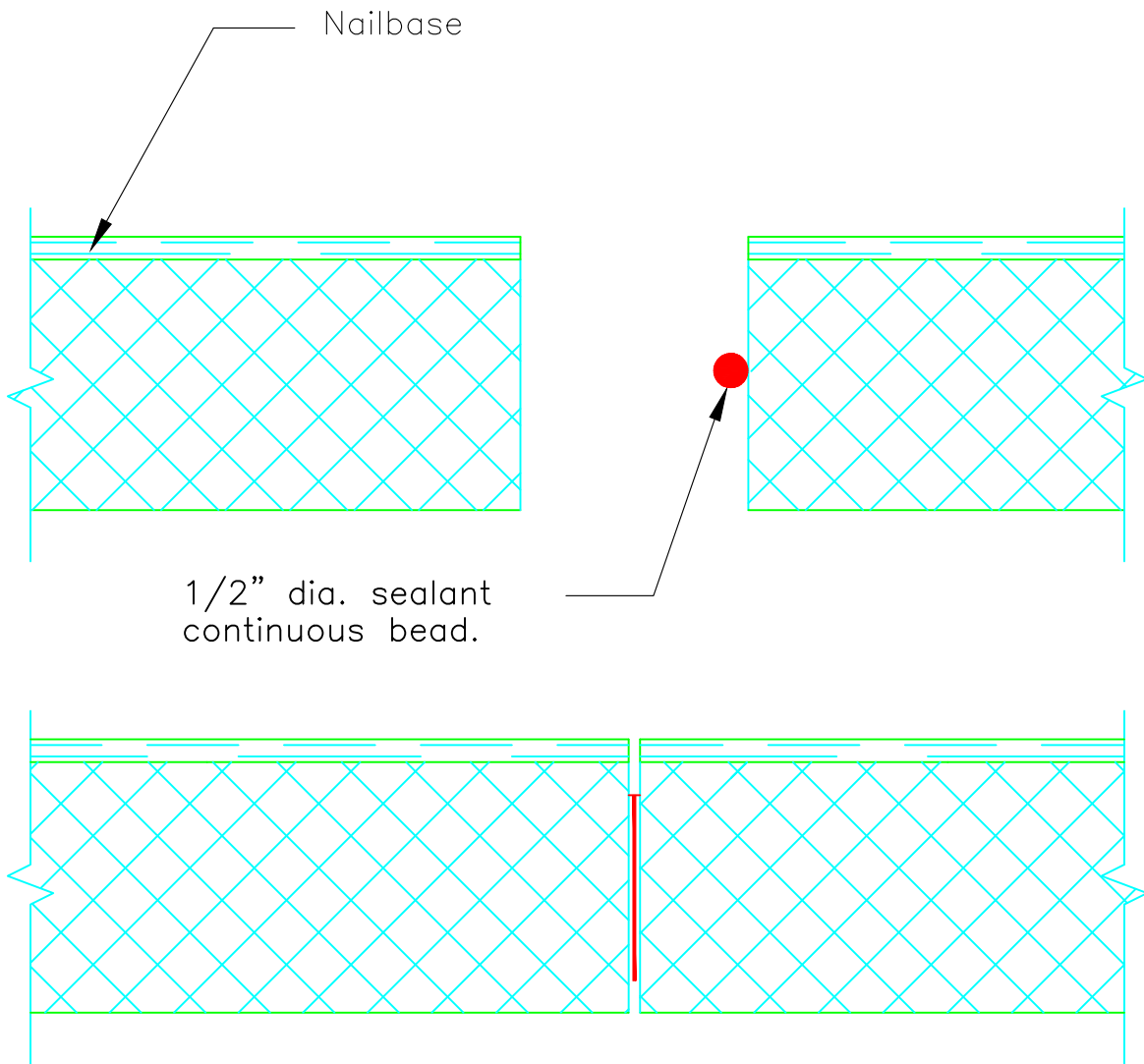
Nailbase

TITLE:

Spline Connection

NO.

NB-106



SECTION

Scale: NTS

Updated 6-1-20

Nailbase

TITLE:

Butt Connection

NO.

NB-106a

Product Availability and Support.

R-Control Nailbase is supported by a team of experts who work with you to answer your questions, offer solutions, and do everything they can to make sure your project goes smoothly and ends successfully.

Ready to take control? Start here.

If you're ready to have R-Control Nailbase contribute to your next project, just contact your PowerFoam Technical Sales Representative. We will be happy to give you design consultation, information about R-Control Nailbase products, pricing, and answers to all of your questions.

NEED INFORMATION OR A QUOTE



sales@powerfoam.com
www.powerfoam.com



**550 Murrery Street
Midlothian, TX 76065**

**Office: 800-883-3626
Fax: 972-775-1806**