

**THERMA SHIELD**  
*sales@powerfoam.com*

POWERFOAM

---

**THERMA SHIELD**

**WEATHER RESISTIVE  
BARRIERS  
CONSTRUCTION MANUAL**

Note: Information deemed reliable at time of printing.  
Please visit [www.powerfoam.com](http://www.powerfoam.com) for the latest information.



# WEATHER RESISTIVE BARRIER CONSTRUCTION MANUAL

When you choose PowerFoam ThermaShield, you're collaborating with a team of experts who work with you every step of the way. We're here to answer your questions, solve your problems, and do everything we can to make sure your project proceeds smoothly—and ends successfully.

PowerFoam ThermaShield products are manufactured by PowerFoam, LLC. PowerFoam ThermaShield manufacturing facility adhere to strict, consistent standards to ensure high-quality.

This network allows us to offer architects, designers and builders the best of both worlds: the resources of the country's largest provider of PowerFoam ThermaShield products and systems, and the superior attention and customer service of a local supplier.

**Note:** Information deemed reliable at time of printing. Please visit [www.powerfoam.com](http://www.powerfoam.com) for the latest information. January 2021.

# Table of Contents

## PowerFoam ThermaShield

---

### Details

Vertical Application: Fastening . . . . .	WRB-101.1
Vertical Application: Taping of Joints . . . . .	WRB-101.2
Horizontal Application: Fastening . . . . .	WRB-101.3
Horizontal Application: Taping of Joints . . . . .	WRB-101.4
Termination at Foundation . . . . .	WRB-102.1
Termination at Soffit . . . . .	WRB-102.2
Wall/Roof Termination . . . . .	WRB-102.3
Wall Penetration . . . . .	WRB-102.4
Window Installation . . . . .	WRB-103.1
Window Sill . . . . .	WRB-103.2
Window Head . . . . .	WRB-103.3
Window Jamb . . . . .	WRB-103.4
Door Head . . . . .	WRB-104.1
Door Jamb . . . . .	WRB-104.2
T&G Joint . . . . .	WRB-105.1

# General Recommendations

---

## PowerFoam ThermaShield Sizes

PowerFoam ThermaShield is made in fanfold and board configurations in a variety of sizes. Boards are most commonly 4' x 8'. Consult PowerFoam for sizes, thicknesses, and fabrication services available in your area.

---

## Environmentally Safe

The core material for PowerFoam ThermaShield, PowerFoam expanded polystyrene, contains no CFCs, HCFCs, HFCs or formaldehyde and is recyclable. PowerFoam expanded polystyrene is inert, non-nutritive and highly stable. Your PowerFoam encourages you to support recycling and energy conservation.

---

## Warranty

PowerFoam provide a 50-year warranty covering thermal performance. Contact PowerFoam for details regarding the warranty program.

---

## Handling - Storage - Protection

PowerFoam ThermaShield should be stored in a fully supported manner and protected from weather. Cover stored PowerFoam ThermaShield with tarps or similar protective wraps. After installing PowerFoam ThermaShield, apply wall cladding when immediately practical.

Expanded Polystyrene (EPS) contains a flame retardant additive. However, the EPS should be considered combustible and used with code approved thermal barriers and should not be stored near any open flame or source of ignition. Do not install or use EPS with coal-tar pitch or highly solvent extended mastics, adhesives or sealants. Consult PowerFoam for suggested adhesives, sealants, and assembly specifications not otherwise detailed in this manual.

## General Recommendations - cont'd

---

### Joins, Penetrations, Fasteners

At PowerFoam ThermaShield board joints and fastener heads, apply PowerFoam ThermaShield Tape.

Install termination fixtures as required.

Install flashing for penetrations as required.

---

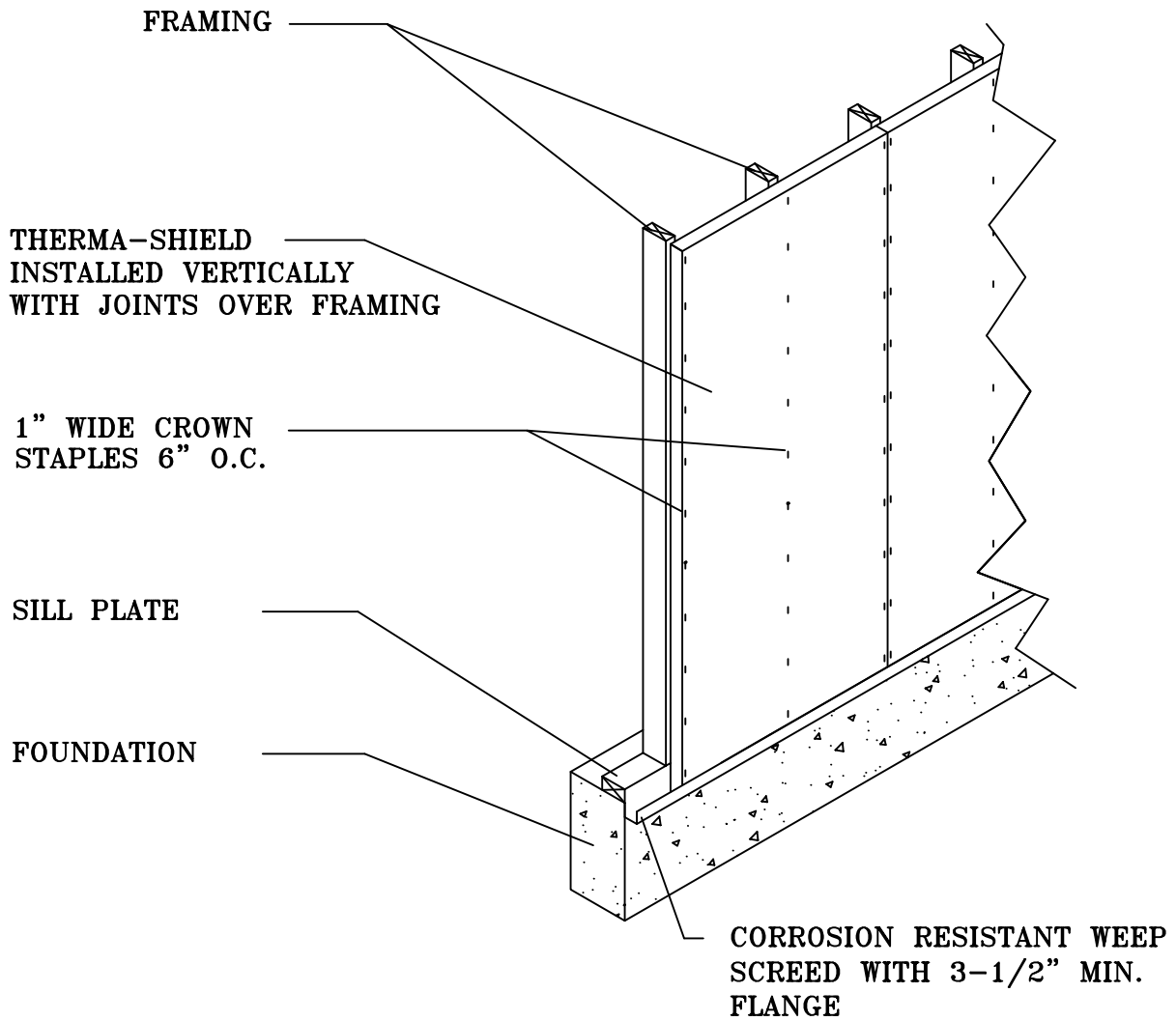
### Special Treatments

Foam plastic insulations have been shown to become termite infested under certain exposure conditions. PowerFoam ThermaShield with borate is available and provides resistance to termite infestation. Please contact PowerFoam for availability and complete information.

---

### Disclaimer

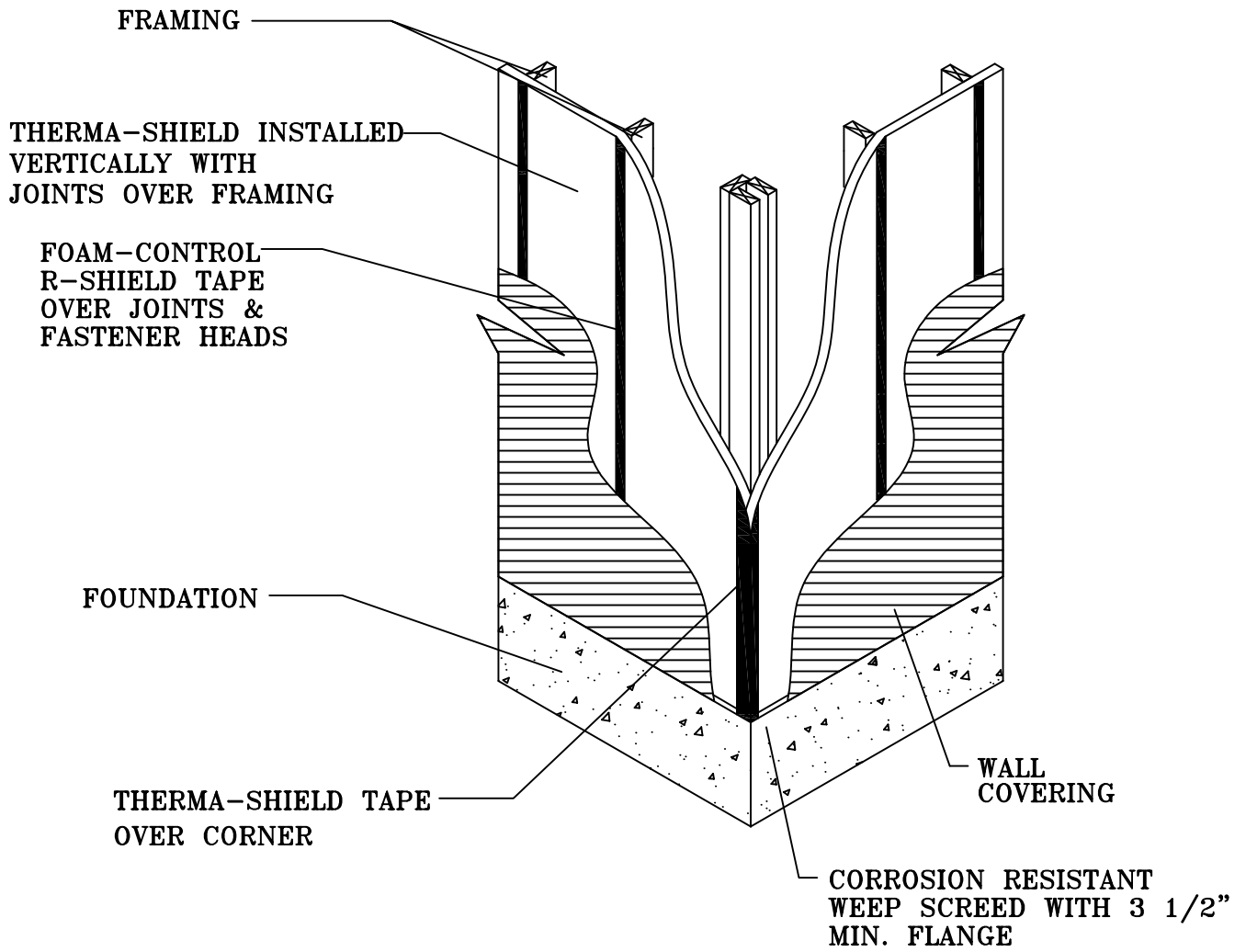
Details, illustrations, pictures and guidelines provided herein give basic information and illustrate examples of PowerFoam ThermaShield installation. The basic information provide herein is not intended to cover every potential use and application of PowerFoam ThermaShield. It is the responsibility of the installer to become familiar with his specific application and determine if PowerFoam ThermaShield is suitable. By commencing work, the installer accepts full responsibility for the proper and safe installation of PowerFoam ThermaShield at his job site. Adding an insulation component may change the behavior of a wall assembly with regard to air movement, water vapor transmittance, bulk water management and heating, cooling and ventilation systems. It is the responsibility of the owner or the owner's representative to design the insulated wall assembly to perform in a manner ensuring function and durability. Furthermore, it is the sole responsibility of the installer to meet all federal and local regulatory requirements for job site safety for himself, his workers and any others on the job site while in the execution of all phases of PowerFoam ThermaShield installation.



REV:	DATE:
1	01/21

**THERMA-SHIELD**  
Vertical Application: Fastening

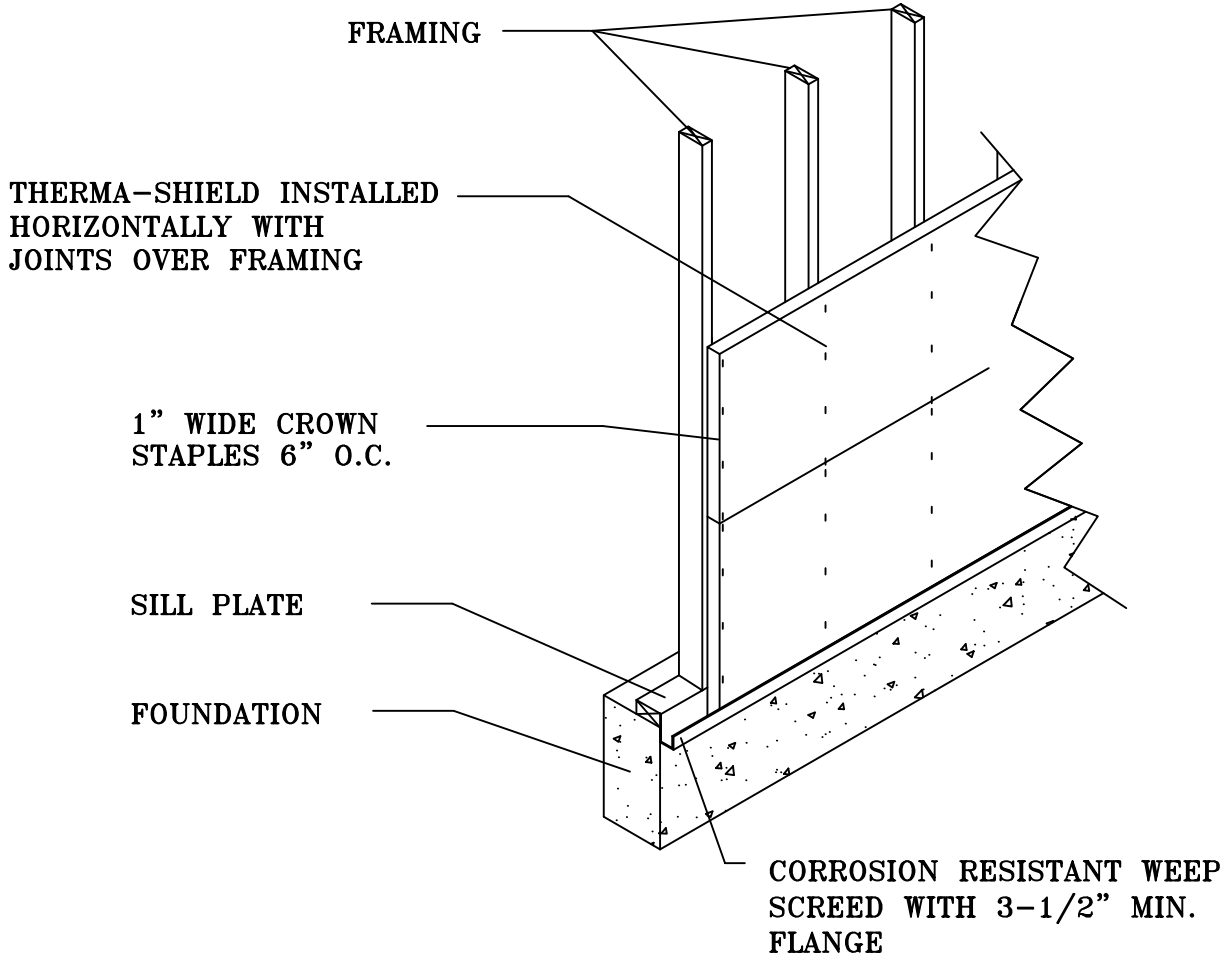
**WRB-101.1**



REV:	DATE:
1	01/21

**THERMA-SHIELD**  
 Vertical Application: Taping of Joints

**WRB-101.2**

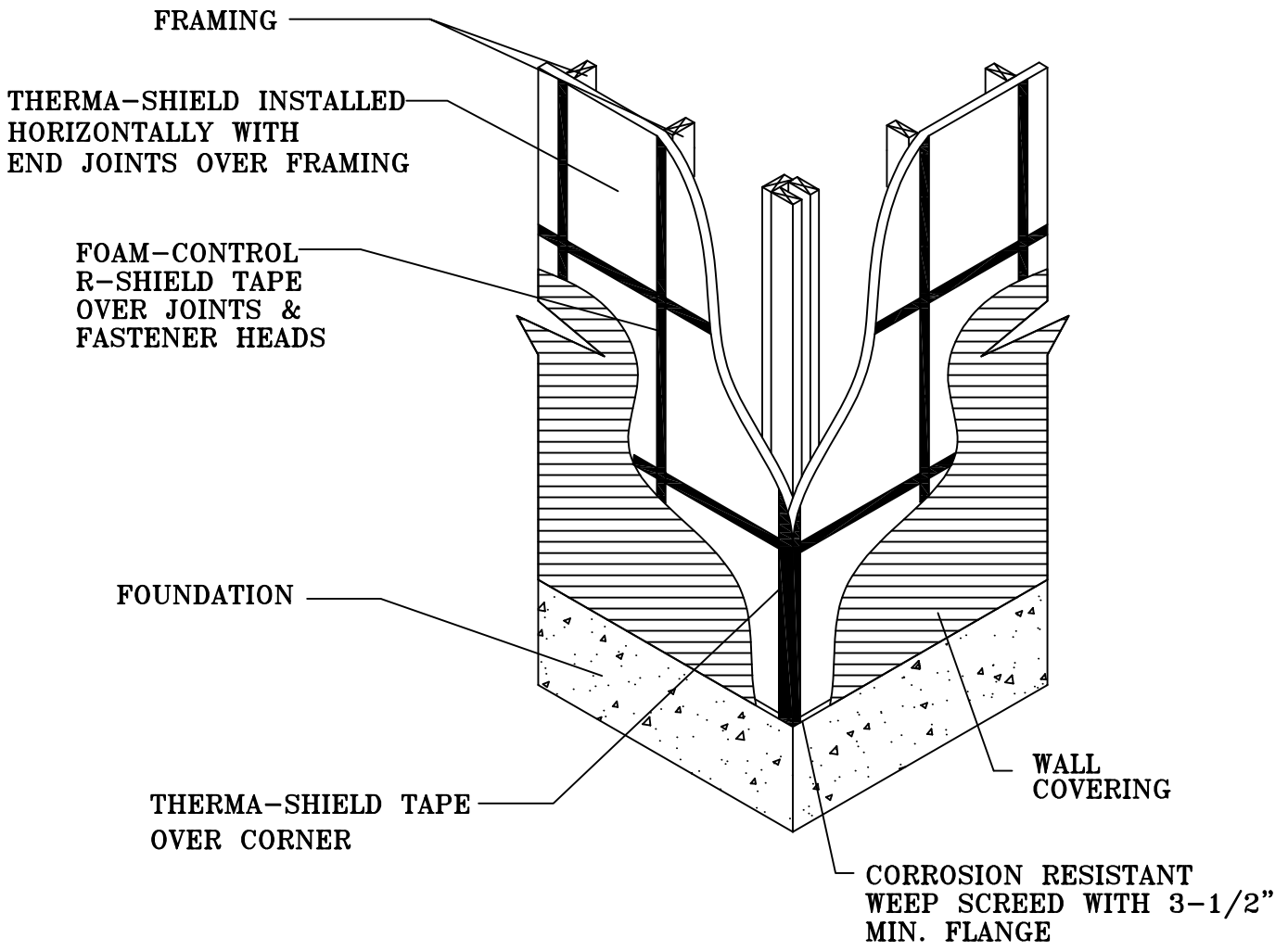


REV:	DATE:
1	01/21

**THERMA-SHIELD**  
 Horizontal Application: Fastening

**WRB-101.3**

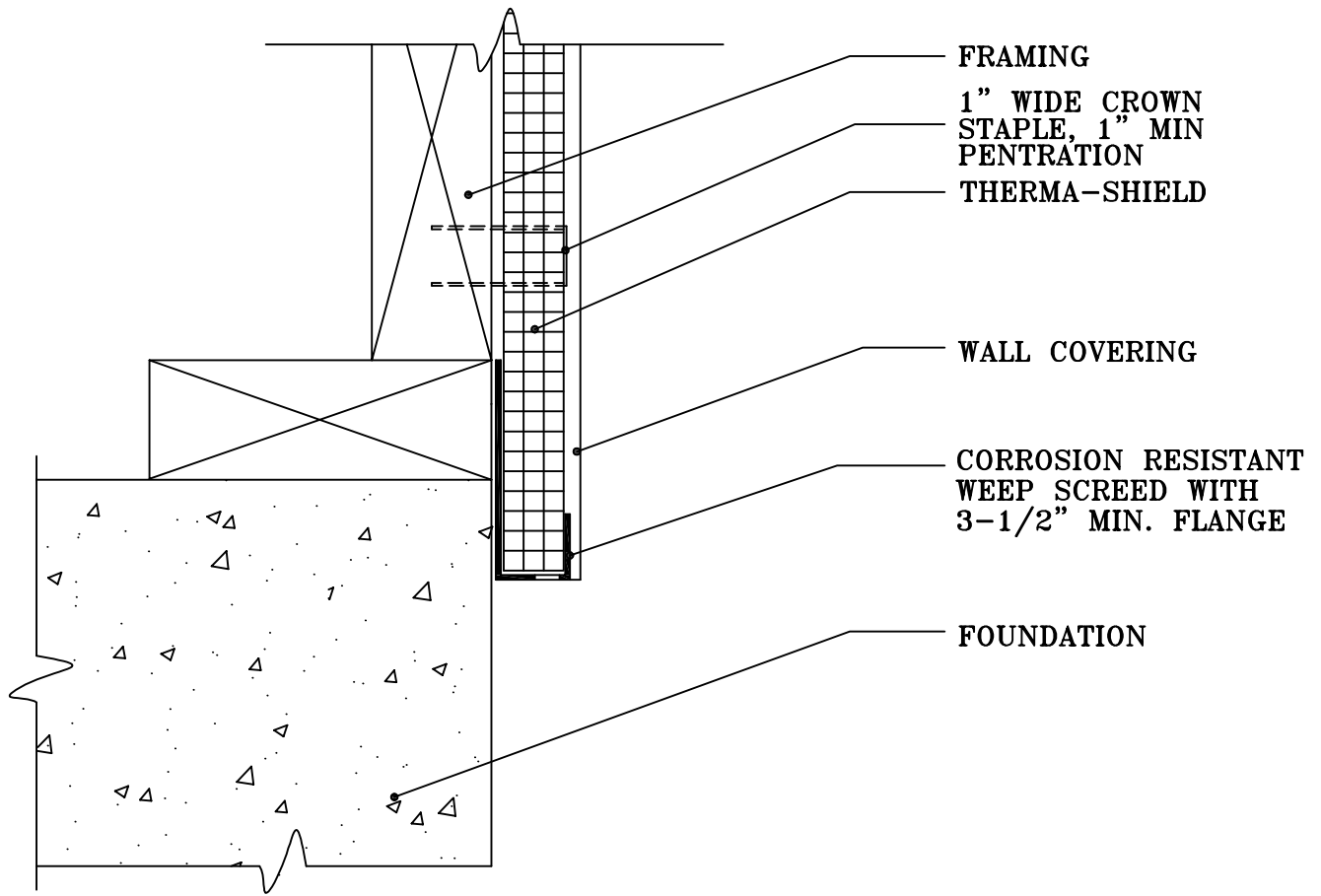




REV:	DATE:
1	01/21

**THERMA-SHIELD**  
 Horizontal Application: Taping of Joints

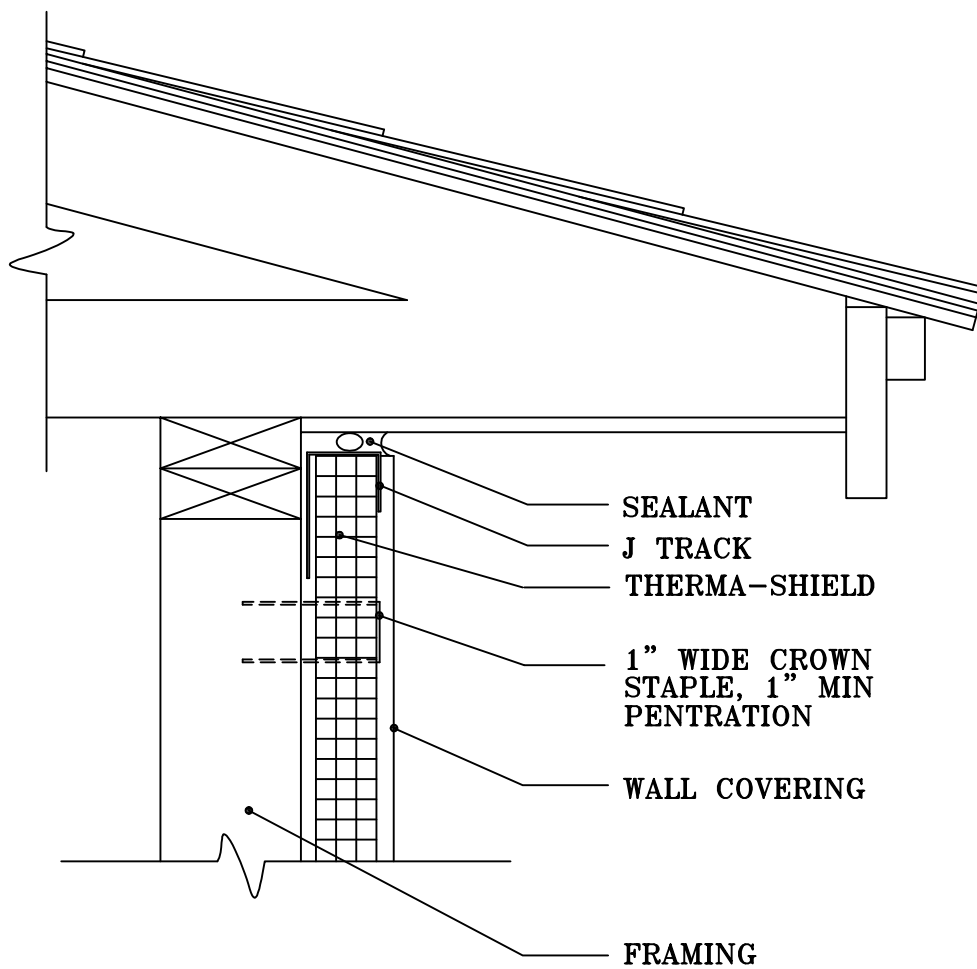
**WRB-101.4**



REV:	DATE:
1	01/21

**THERMA-SHIELD**  
**Termination at Foundation**

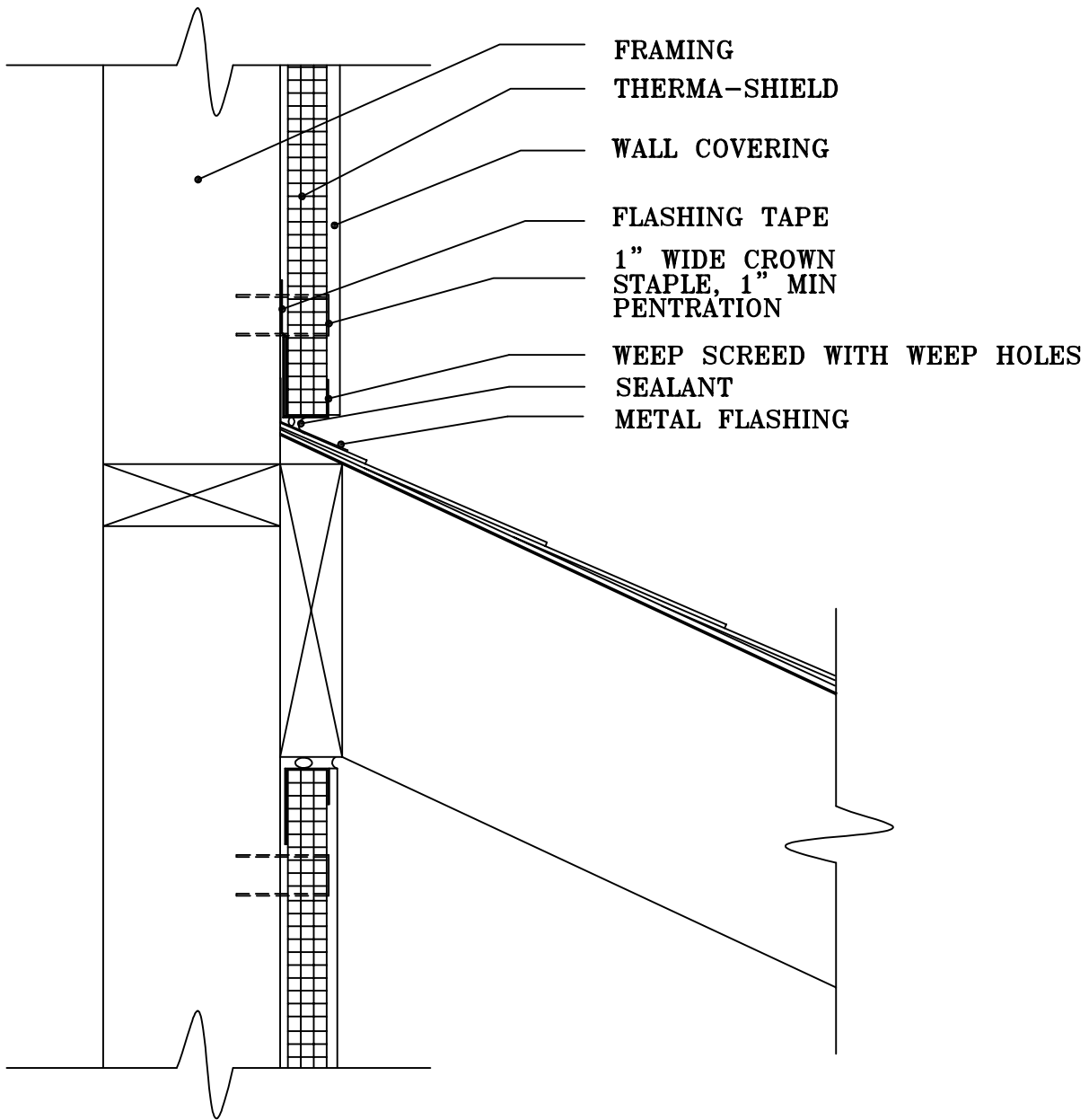
**WRB-102.1**



REV:	DATE:
1	01/21

**THERMA-SHIELD**  
Termination at Soffit

**WRB-102.2**

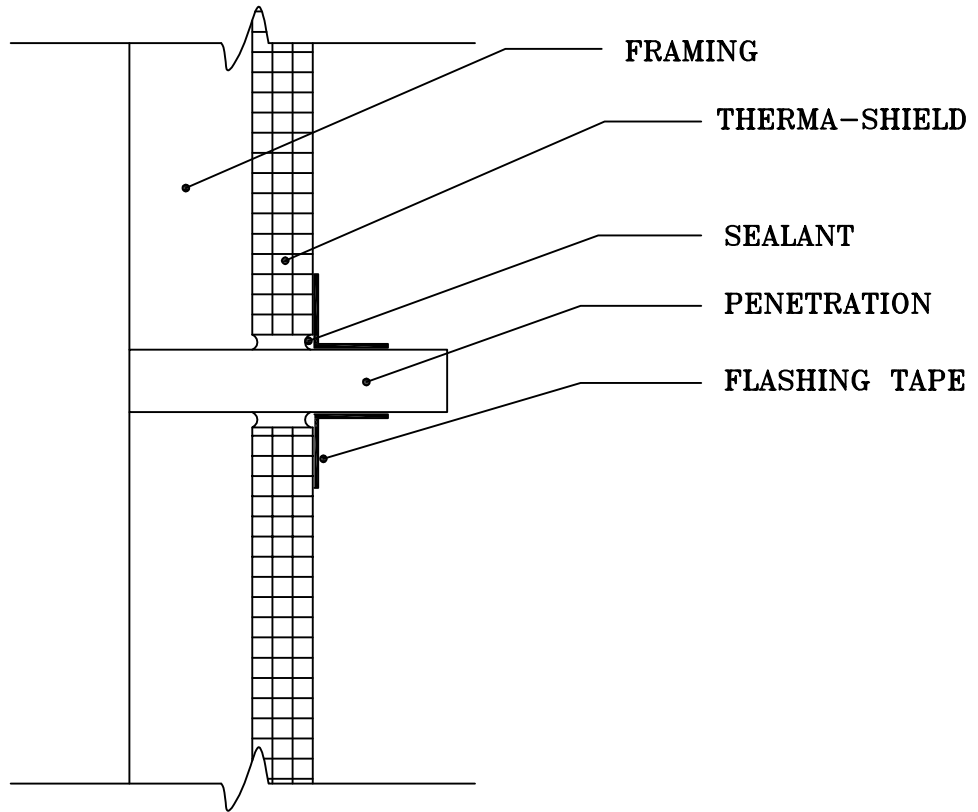


- FRAMING
- THERMA-SHIELD
- WALL COVERING
- FLASHING TAPE
- 1" WIDE CROWN STAPLE, 1" MIN PENTRATION
- WEEP SCREED WITH WEEP HOLES
- SEALANT
- METAL FLASHING

REV:	DATE:
1	01/21

**THERMA-SHIELD**  
**Wall/Roof Termination**

**WRB-102.3**

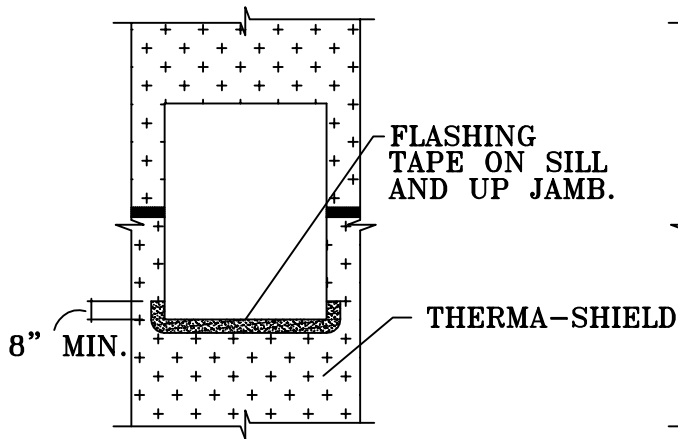


REV:	DATE:
1	01/21

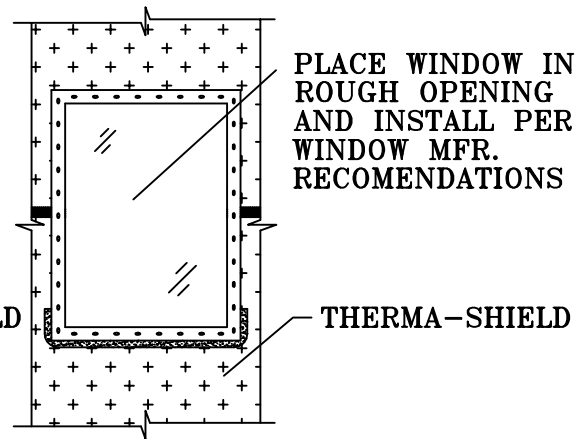
**THERMA-SHIELD**  
 Wall Penetration

**WRB-102.4**

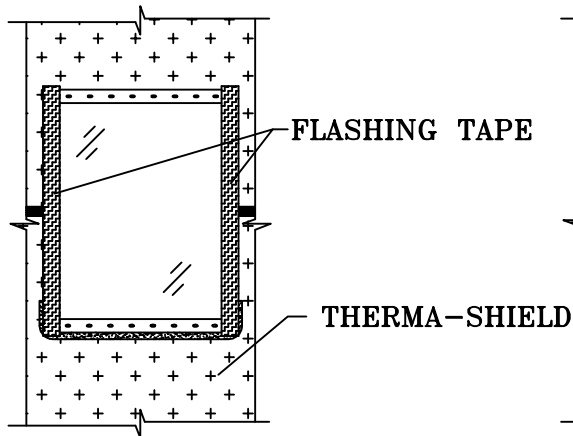
### STEP 1



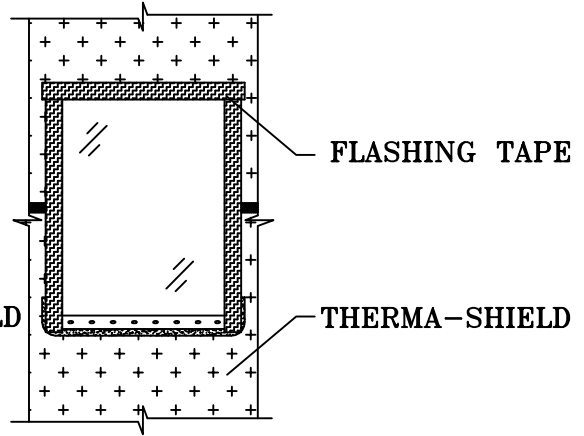
### STEP 2



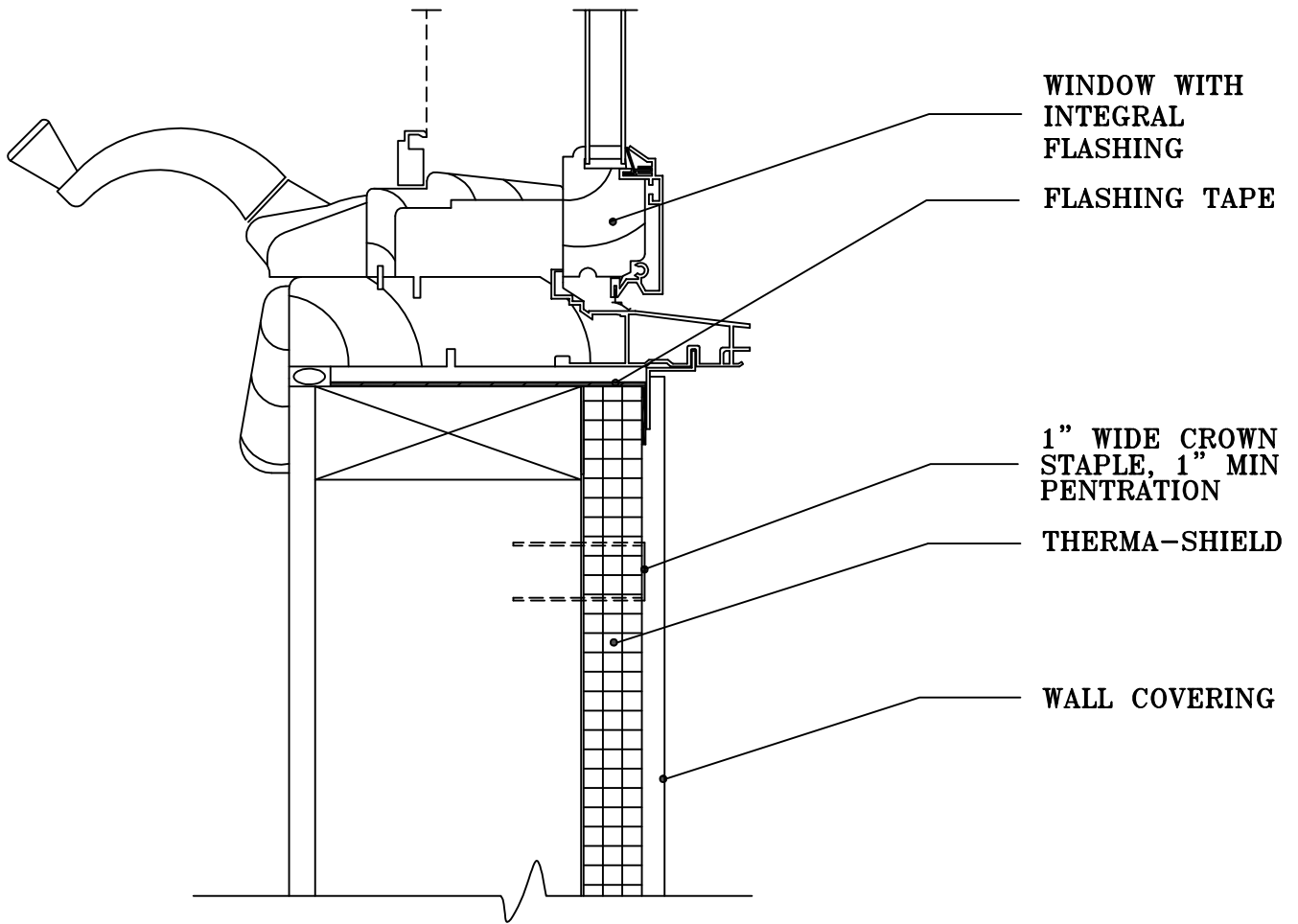
### STEP 3



### STEP 4



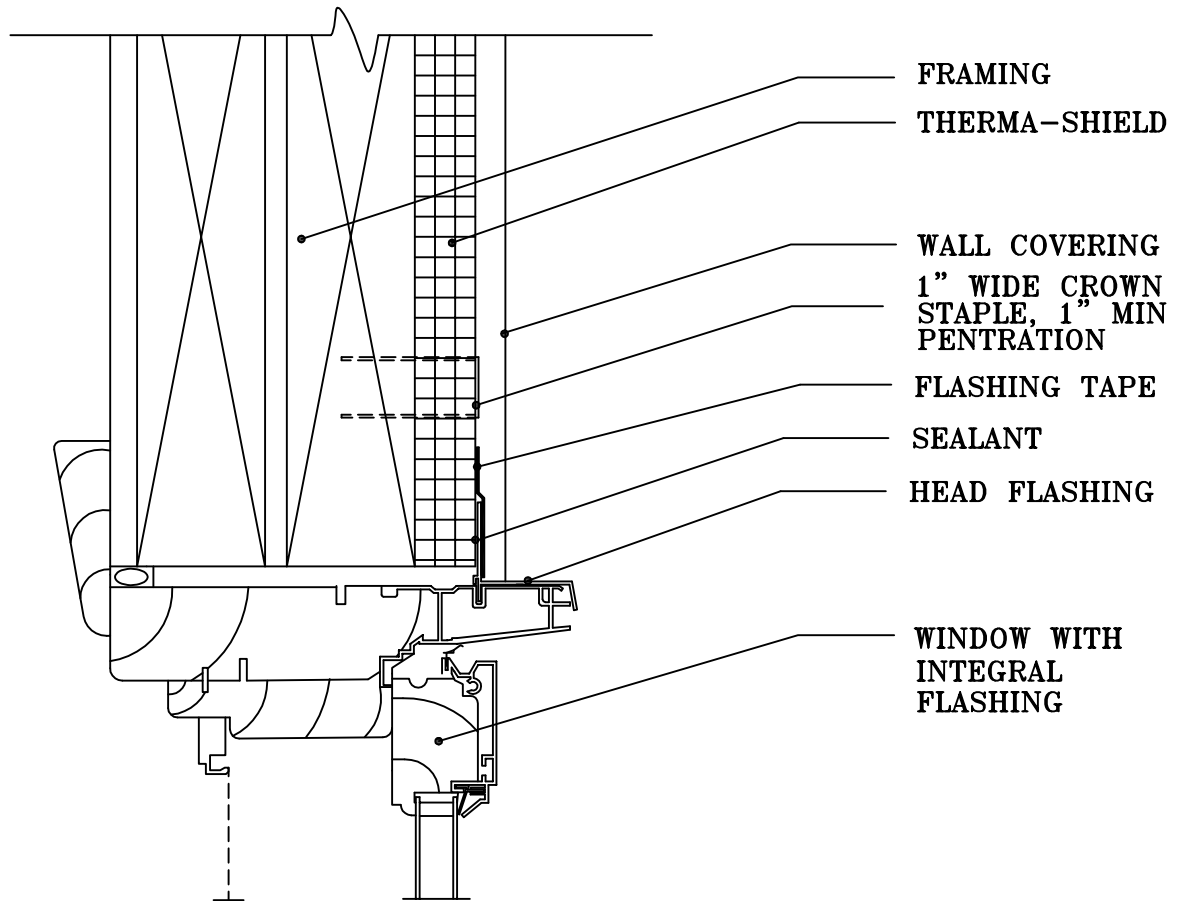
REV:	DATE:
1	01/21



REV:	DATE:
1	01/21

**THERMA-SHIELD**  
 Window Sill

**WRB-103.2**

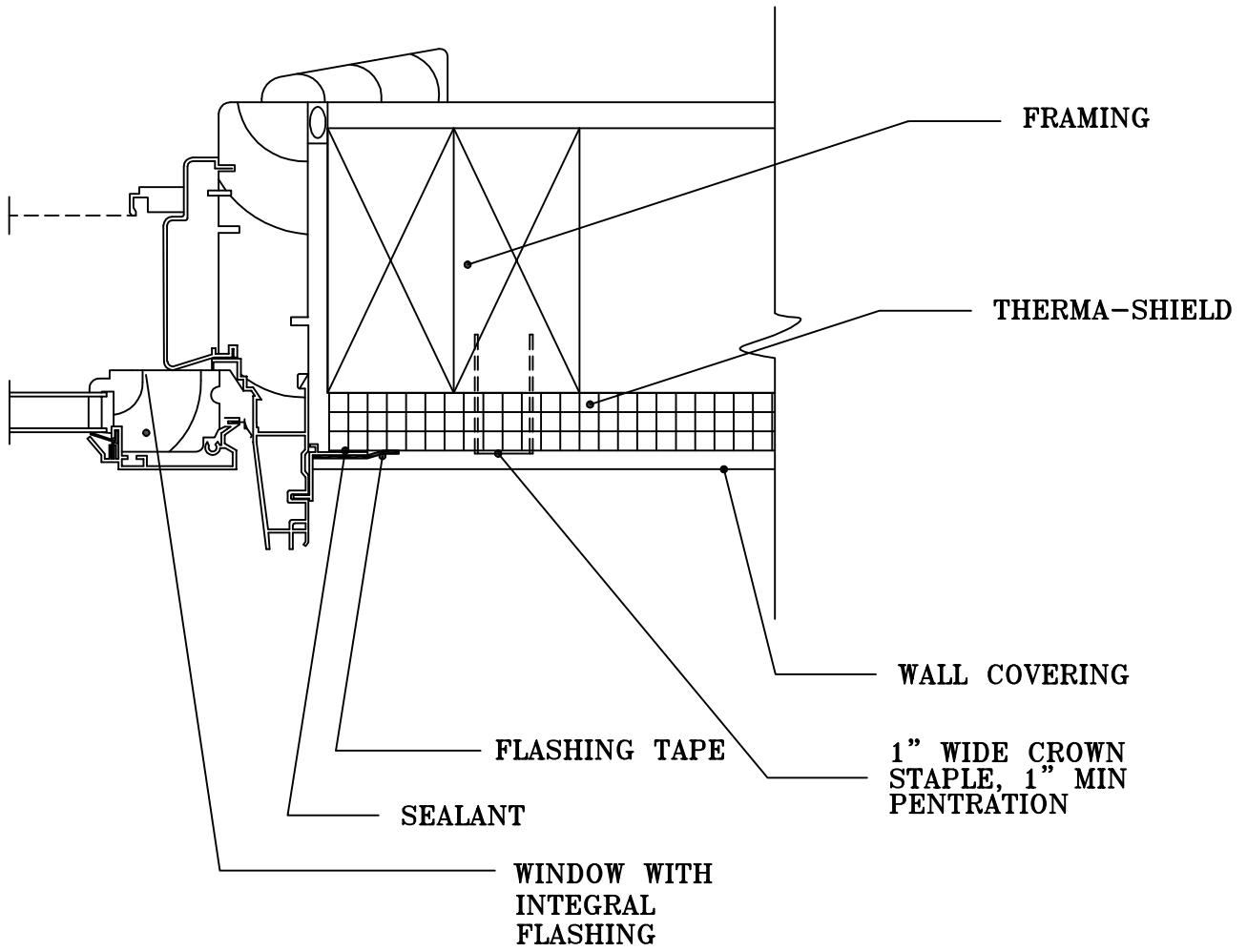


REV:	DATE:
1	01/21

**THERMA-SHIELD**  
Window Head

**WRB-103.3**

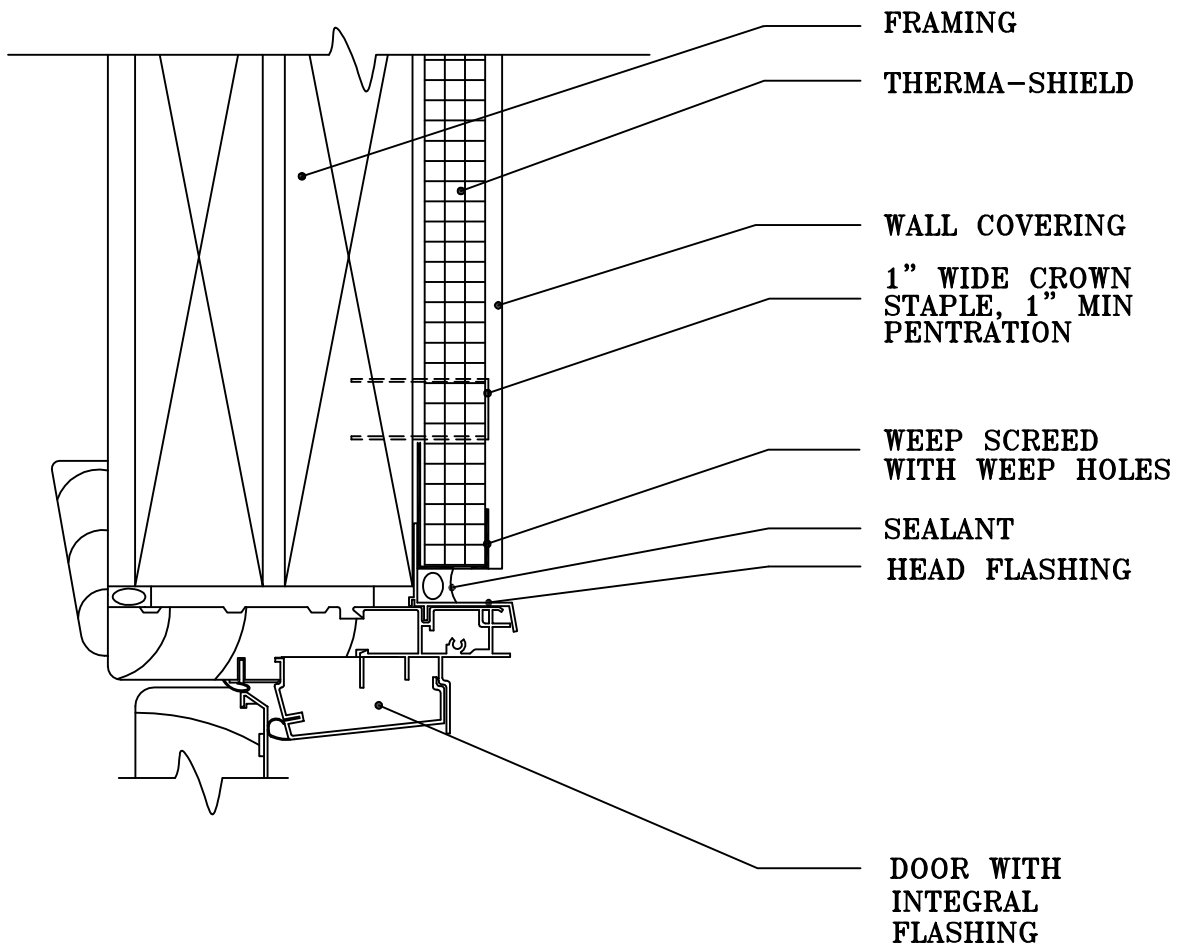




REV:	DATE:
1	01/21

**THERMA-SHIELD**  
Window Jamb

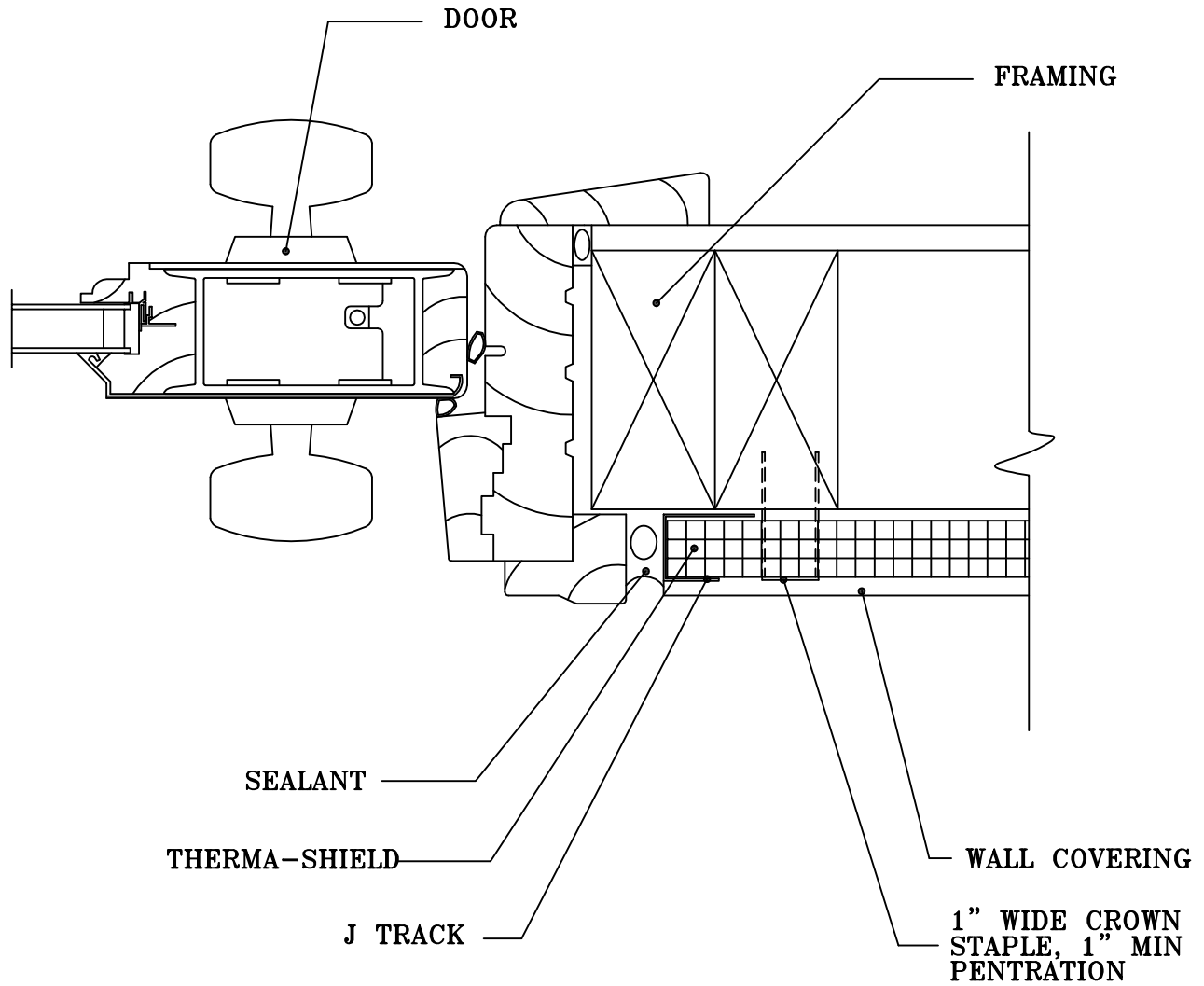
**WRB-103.4**



REV:	DATE:
1	01/21

**THERMA-SHIELD**  
 Door Head

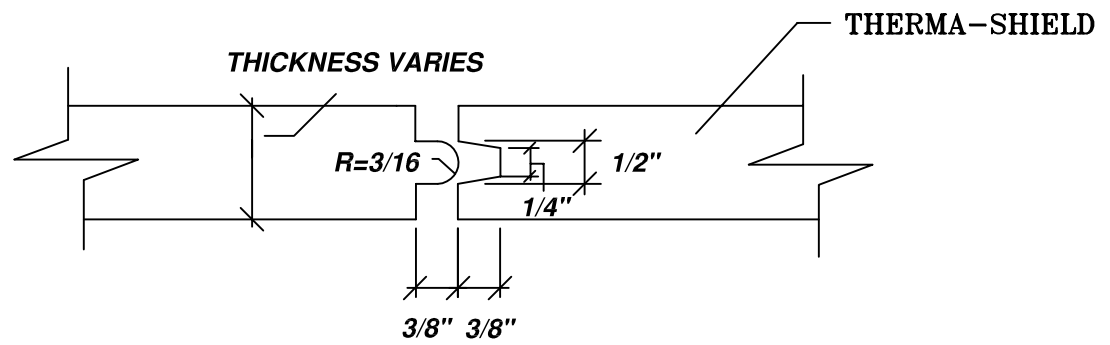
**WRB-104.1**



REV:	DATE:
1	01/21

**THERMA-SHIELD**  
 Door Jamb

**WRB-104.2**



REV:	DATE:
1	01/21

THERMA-SHIELD  
T&G Joint

WRB-105.1

**Product Availability and Support.**

PowerFoam ThermaShield is supported by a team of experts who work with you to answer your questions, offer solutions, and do everything they can to make sure your project goes smoothly and ends successfully.

**Ready to take control? Start here.**

If you're ready to have ThermaShield contribute to your next project, just contact your PowerFoam Technical Sales Representative. We will be happy to give you design consultation, information about ThermaShield products, pricing, and answers to all of your questions.

**NEED INFORMATION OR A QUOTE**



***[sales@powerfoam.com](mailto:sales@powerfoam.com)***  
***[www.powerfoam.com](http://www.powerfoam.com)***



**550 Murrary Street  
Midlothian, TX 76065**

**Office: 800-883-3626  
Fax: 972-775-1806**